

Pneumatic Rotary Actuator Operated Ball Valves



2 pc. / 3 pc. / Jacketed Design

Types of Valves Available

- 2 Way / 3 Way / 4 Way / 5 Way Screwed / Flanged
- Seals - PTFE / GFT / CFT / TFM / METAL TO METAL / PEEK
- Rating upto 1500 Class
- Jacketed Valve with Replaceable Seals
- MOC - WCB / CF8 / CF8M / CF3M
Hast Alloy / Duplex
- Fire Safe Design



Mfg. & Mkt by :

aira Euroautomation pvt. ltd.

INDIA

www.airaindia.com / www.airaeuro.com





About Us :

Aira Euro Automation Pvt. Ltd. headquartered in Ahmedabad, Gujarat, India accredited with ISO 9001, from BVQI – LONDON is one of the leading manufacturer and exporter of automation and manual valves in the small sector in India having over 20-years of experience maintains one of the largest and most diversified markets of valves globally. We export our product in more than 20+ countries and have received excellent feedbacks.

We manufacture pneumatic actuator operated valves, automation valves. Pneumatic actuator operated valves can easily tolerate heavy loads, and are easily available and inexpensive too. Our products meet a wide range of users from different fields in fossil & cogeneration power, nuclear, refining, petrochemicals, pulp & paper, LNG & cryogenics, pharma industry.

We are continuously enhancing the ability of our staff and workers to become “customers preferred company.” The motto of our organization is to become a “One - stop shop” for our clients and customers. For this, we have fully dedicated staff in each field.

Our management and employees are more passionate about manufacturing quality products and are always striving to improve and to meet the expectations and desires of our clients and customers in the guidance of dedicated and experienced management.

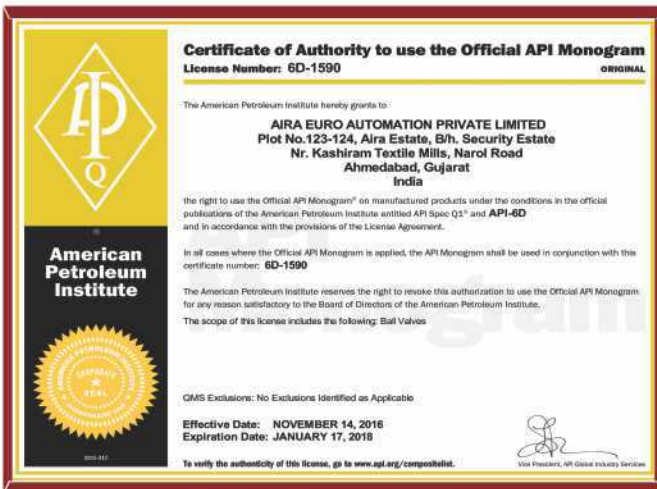
For further clarification of our products & services, Please feel free to contact us.

Pub. On : March 2018 (Rev.-01)

www.airaindia.com / www.airaeuro.com



Unit : 2



API 6D Certificate for Ball Valve



API 609 Certificate for Butterfly Valve

Approval

TDS, SGS, MECON, LLOYDS, PDIL, RITES, ONGC, BVIS, UHDE, BHEL, NPCIL, BARC, SAIL, Indian Navy & many more.

We have always kept our Design & Development Department on their toes, Even when a product has been positively accepted in the market, We have make change for the better instead of resting on our laurels. Also we have full fledged in house flow testing facility.

Organisation Belief

"Customer Is The Top Priority" Continuous job training to it's employees and human resource development strengths have given a loyal, trained workforce with great motivation.

We have a network of service and sales operations by qualified engineers and marketing personnel, by which the nationwide requirements are being fulfilled.

Reputation

Client's satisfaction with quality, fast action, rates, pre and post sales services.

Aim

To provide the most economic and quality product under the latest international manufacturing standards.



CE Ball Valve



CE Actuator



IBR Certificate



Design Registered



Fire Safe Certificate : Ball Valve





CE : Micro Limit Switch



CE : Solenoid Coil & Positioner



CCEO : Solenoid Coil



CCEO : Solenoid Coil / Limit Switch / Positioner



BIS : Solenoid Coil / Limit Switch / Positioner



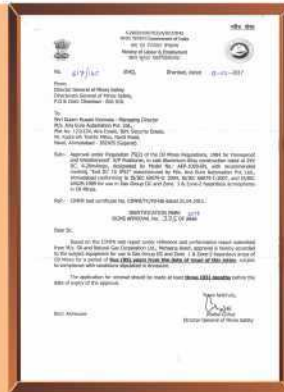
BIS : Solenoid Coil / Limit Switch / Positioner



BIS : Solenoid Coil / Limit Switch / Positioner



DGMS Certificate : Positioner



Company Profile



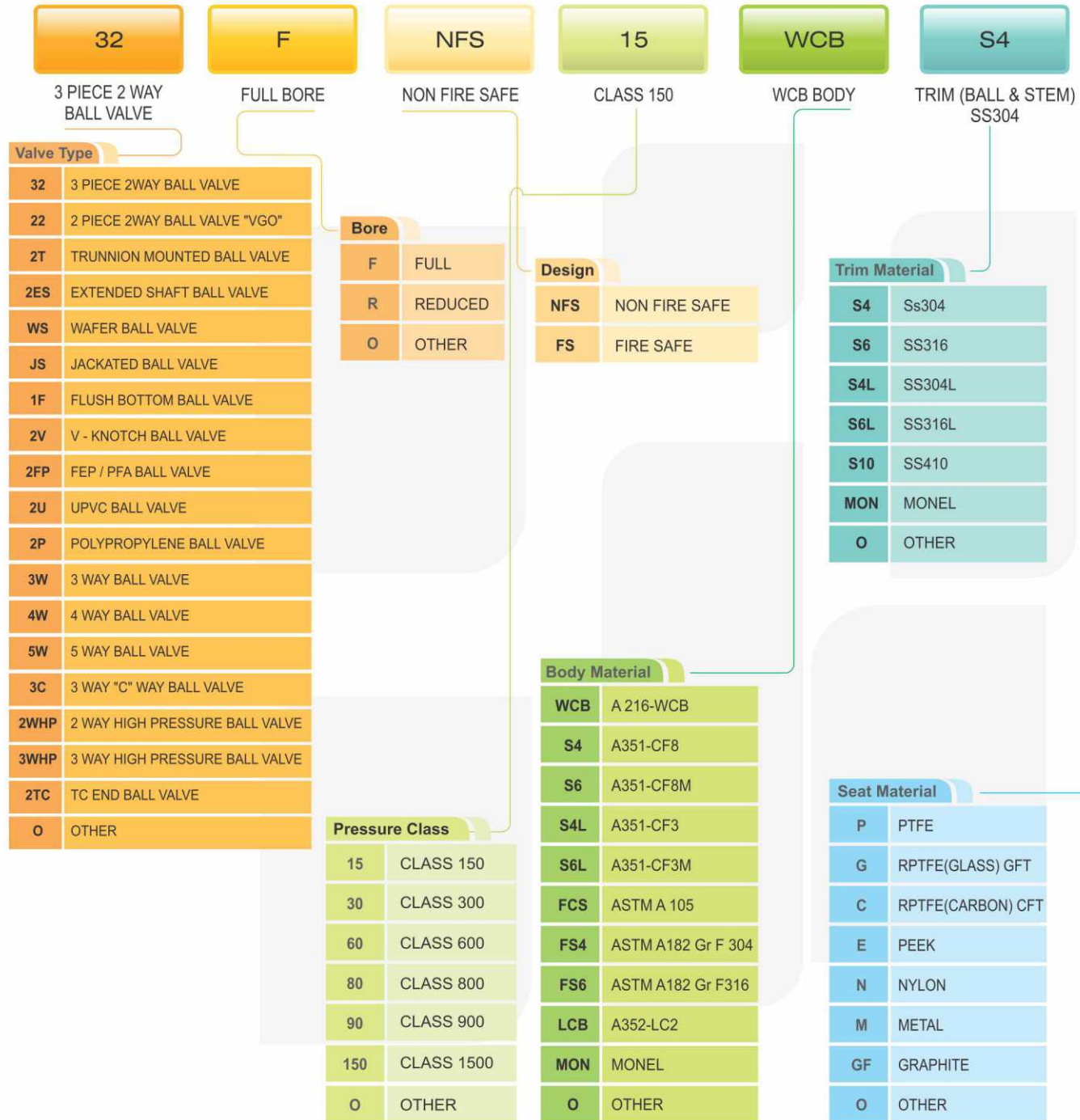
Pub. On : March 2018 (Rev.-01)

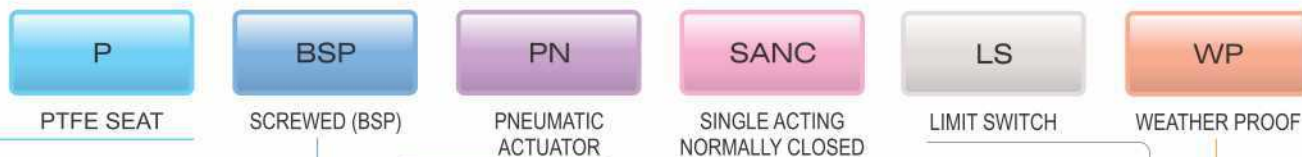
www.airaindia.com / www.airaeuro.com

CONTENTS

Sr. No.	Item Name	Page No.
1	Coding System	1 - 2
2	Torque & CV Value	3
3	Testing / Test Duration / Fire Safe Design	4
4	Ball Valve Features	5 - 6
5	3 Pc. Design Ball Valve	7
6	3 Pc. Design Extended Shaft Ball Valve	8
7	3 Pc. Design Triclover Ends Ball Valve	9
8	3 Pc. Design High Pressure Ball Valve	10
9	3 Pc. Design Metal to Metal Ball Valve	11
10	'OKM' Series 2 Pc. Design Ball Valve	12
11	'VGO' Series 2 Pc. Design Ball Valve	13
12	'WOG' Series High Pressure Ball Valve	14
13	Polypropylene Ball Valve	15
14	Wafer Type Ball Valve	16
15	Jacketed Ball Valve	17
16	Flush Bottom Ball Valve (Full Bore)	18
17	Flush Bottom Ball Valve (Reduce Bore)	19
18	FEP / PFA Lined Ball Valve	20
19	V - Knotch Ball Valve	21
20	Spring Loaded (API-6D) Ball Valve	22
21	2 Way UPVC Ball Valve	23
22	3 Way UPVC Ball Valve	24
23	'CW' Series "C Way" 3 Way Ball Valve	25
24	3 Way / 4 Way / 5 Way Ball Valve	26 - 27
25	3 Way / 4 Way / 5 Way Ball Valve	28
26	Ball Valve Flange Standard Dimensions Table	29 - 30
27	Accessories for Pneumatic Actuator	31 - 32
28	Application	33 - 34
29	Our Global Network	35 - 36

For Example





End Conn.

BSP	SCREWED BSP
NPT	SCREWED NPT
SWE	SOCKET WELD
BWE	BUTT WELD
FE	FLANGED RF
TC	TRICLOVER END
WF	WAFER TYPE
SWEXE	SOCKET WELD WITH NIPPLE EXE.
RJ	RTJ
O	OTHER

Actuation

SANC	SINGLE ACTING NORMALLY CLOSED
SANO	SINGLE ACTING NORMALLY OPEN
DASP	DOUBLE ACTING STAY PUT
SYDA	SCOTCH & YOKE DOUBLE ACTING
SYSA	SCOTCH & YOKE SINGLE ACTING
ACYDA	ALUMINIUM SCOTCH & YOKE DOUBLE ACTING
ACYSA	ALUMINIUM SCOTCH & YOKE SINGLE ACTING
O	OTHER

Accessories

LS	LIMIT SWITCH
P S	PROXIMITY SWITCH
SVS	SOLENOID VALVE SINGLE COIL
SVD	SOLENOID VALVE DOUBLE COIL
AFR	AIR FILTER REGULATOR
PPOS	PNEUMATIC POSITIONER
EPOS	ELECTRO PNEUMATIC POSITIONER
EXTS	EXTENDED STEAM
AL	AIR LOCK VALVE
VB	VOLUME BOOSTER
MO	MANUAL OVER RIDE
QEV	QUICK EXHAUST VALVE
FLV	FLOW CONTROL VALVE
SL	SILENCER
OFB	OUTPUT FEED BACK 4 to 20 M AMP
OFI	ON-OFF INDICATOR
O	OTHER

Operator

EL	ELECTRIC ACTUATOR
PN	PNEUMATIC ACTUATOR
G	GEAR OPERATED
B	BARE STEM
L	LEVER
O	OTHER

Enclosure

WP	WEATHER PROOF
FP	FLAME PROOF
O	OTHER

Torque Values

BREAK AWAY TORQUE VALUE FOR SOFT SEATED Nm (ft. lbs.)					
Size		150# FB ΔP		300# FB ΔP	
Inch	MM	10 BAR	20 BAR	40 BAR	50 BAR
1/2"	15	3	3	3.5	3.8
3/4"	20	5	6	6.3	7
1"	25	5.5	6.5	10	11.5
1.1/4"	32	11	13	15	18
1.1/2"	40	16	18	22	24
2"	50	28	32	34	35
2.1/2"	65	60	63	68	72
3"	80	80	85	88	92
4"	100	130	140	156	166
5"	125	265	275	285	300
6"	150	302	325	375	426
8"	200	400	414	460	480
10"	250	1050	1080	1112	1176
12"	300	2300	2340	2412	2450

ACTUATOR SELECTION MULTIPLY THE ABOVE VALUES BY THE FOLLOWING FACTORS (F) TO GET THE ACTUATOR TORQUE.

SERVICE	FACTOR 'F'
RAW WATER	1.35
WET SERVICE	1.35
STEAM	1.25
GAS	1.40
SLURRY	1.80
VISCOUS LIQUID	2.00

Notes :

- 1 For 3 Way Multiply The Above Values By A) 1.2 For 2 Seat B) 2.0 For 3 Seat.
 - 2 For GFT, CFT, GRFT & SS Filled PTFE Seats Multiply The Above Values By 1.2
 - 3 For Nylon Seats Multiply The Above Values By 1.5
 - 4 For Metal & Peek Seats Multiply The Above Values By 2
- † Final Torque Selection Should Not Be Above The Maximum Stem Shear Torque For Lined Valve.

Flow Co-efficients

Size		Full Port Ball Valve CV
Inch	MM	
1/2"	15	20
3/4"	20	50
1"	25	94
1.1/4"	32	135
1.1/2"	40	225
2"	50	450
2.1/2"	65	750
3"	80	1220
4"	100	2310
5"	125	3580
6"	150	5150
8"	200	10190
10"	250	16550
12"	300	24735
14"	350	28000
16"	400	37200
18"	450	49000
20"	500	59000
24"	600	101990

Flow Coefficient (Cv) is a basic industry wide standard which is defined as "The rate of flow of water in US gallon's per minute that will generate a pressure drop of one pound per square inch across the valve".

$$Cv = \frac{Q}{\sqrt{\frac{\Delta P}{SG}}}$$

WHERE,

- Q** = FLOW RATE IN US gal / mm
- SG** = SPECIFIC GRAVITY OF LIQUID (WATER =1)
- ΔP** = PRESSURE DROP ACROSS THE VALVE, PSI
- Ky** = Cv / 1.17

Pressure Test Chart

Test Pressure & Duration As Per API 598						
Pressure Rating	Hydro Test Pressure		Valve Size	Test Duration In Seconds		
	Body (Kg/cm ²)	Seat (Kg/cm ²)		Body (Minutes-Seconds)	Seat (Minutes-Seconds)	Back Seat (Minutes-Seconds)
150#	30	22	2" & Smaller	0.25 - 15	0.25 - 15	0.25 - 15
300#	80	58	2.1/2" to 6"	1 - 60	1 - 60	1 - 60
600#	155	115	8" to 12"	2 - 120	2 - 120	1 - 60
800#	211	151	14" & Lager	5 - 300	2 - 120	1 - 60
900#	233	170	Pneumatic (Air) Testing Only For Seat 7 Kg/cm ²			
1500#	393	286				
2500#	653	478				

Test Pressure & Duration As Per BS EN 12266-1						
PN	Body	Seat	Valve Size	Test Duration In Seconds		
				Body (Minutes-Seconds)	Seat (Minutes-Seconds)	
PN 10	15	11				
PN 16	24	18	2" & Smaller	0.25 - 15	0.25 - 15	
PN 25	40	28	2.1/2" to 6"	1 - 60	1 - 60	
PN 40	60	45	8" to 12"	2 - 120	2 - 120	
PN 64	100	71	14" & Lager	5 - 30	2 - 120	

FIRE SAFE TESTING AS PER API : 607 5th EDITION - 2010 / API - 6FA 3rd EDITION (1999)

Note :

- 1) Seat Test to be carried out on both the ends of valve.
- 2) For Class 600 & 800 Three Piece valve having SS Fasteners (Body & Ends Piece Joints) Should be rightened after of shell & seat test.

Hydraulic Testing

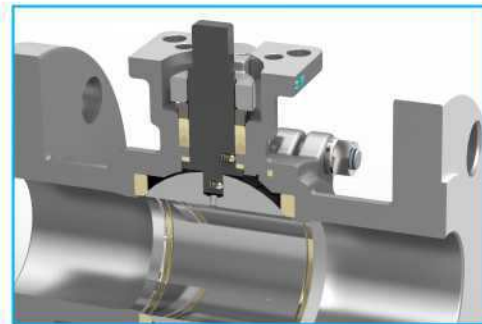


Fire Safe Testing



General

"aira" floating ball valves are designed in accordance with API 6D & ISO 17292 for ANSI Class ratings 150 to 600, Nominal Sizes from 1/2" to 12". Valves have been designed for use with various combinations of materials such as ; Carbon Steel, Low Carbon Steel, Special Alloy, Stainless Steel, Monel, Inconel.

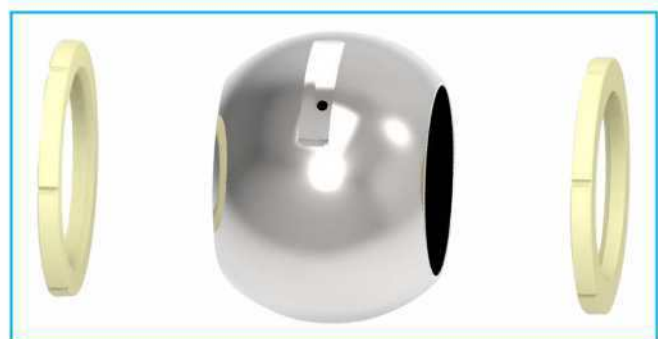


Blow - Out Proof Stem

A bottom entry stem, with backseat, assures even a higher integrity of sealing at higher pressures. Seats of PTFE, RPTFE can be supplied according to requirement.

Mirror finished balls with drilled holes

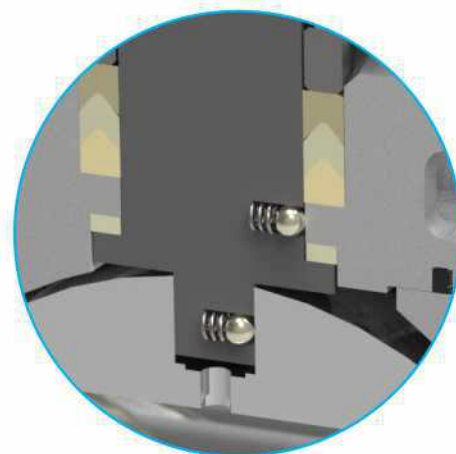
High quality surface finish is achieved on the ball for longer life of seals and hence the valve. In open condition, a rise in temperature can result in high pressure rise of media in casing, which can damage the seals and cause permanent damage. The ball has a drilled hole to relieve body cavity pressure to upstream.



Anti static feature

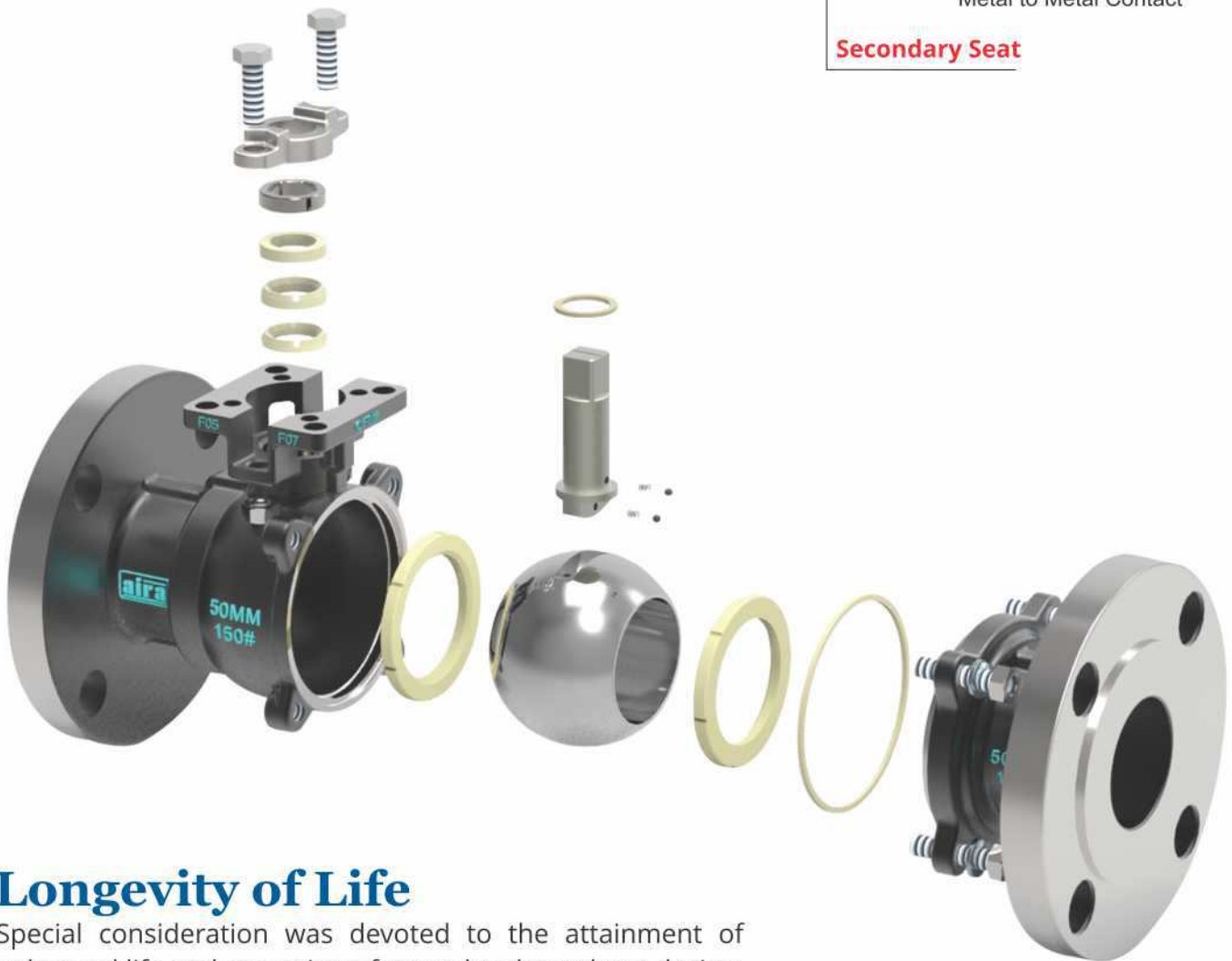
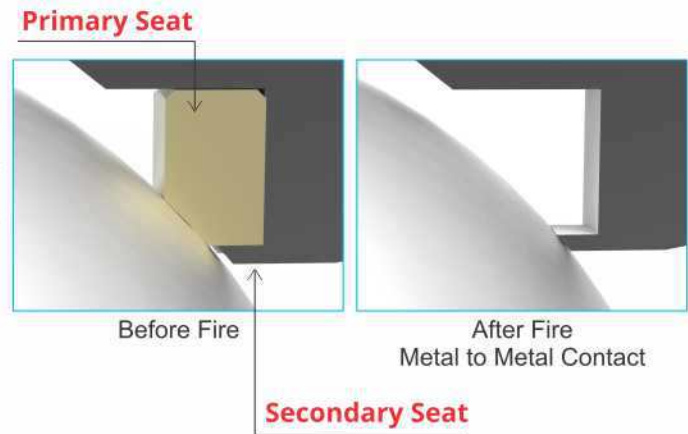
"aira" ball valve have antistatic features build-up of static electricity can occur as a result of constant rubbing of the ball against the PTFE seats. This can be a potential fire hazard, especially while handling flammable fluids.

In the anti-static feature, spring loaded balls are provided between the ball & stem and stem & body are assembled by a spring & a stainless steel ball, which provides electrical continuity as per ISO 17292.



Fire Safe Design (On Request)

“aira” fire safe design ball valves have secondary metal seats. When in case of fire, the primary soft seats sublimates and metal to metal contact is attained.



Longevity of Life

Special consideration was devoted to the attainment of enhanced life and operation of our valve throughout design, development, testing and manufacturing stages. Valve designs combined with the selection of advanced material are such that long periods of inactivity should not affect the operations of efficiency.

3 Pc. Design Floating Ball Valve



"aira" Offers Pneumatic Actuator Operated Investment Casting WCB / CF8 / CF8M / CF3M Ball Valve Floating in Three Piece design. Engineered for multiple On/Off operations in the down stream.

Size Range : 1/2" to 14" Screwed / Flanged / Socket Weld

Standard

- Design And Manufacturer : ASME B 16.34 / BS EN ISO 17292
- Valve Face To Face Dimension : ASME B 16.10
- Flange Standard Conformity : ASME B 16.5 Class 150 / 300 / 600
- Inspection & Testing : API 598 / ISO - 5208 / BS EN 12266 - 1
- Leakage Class : Class VI ISO - 5208

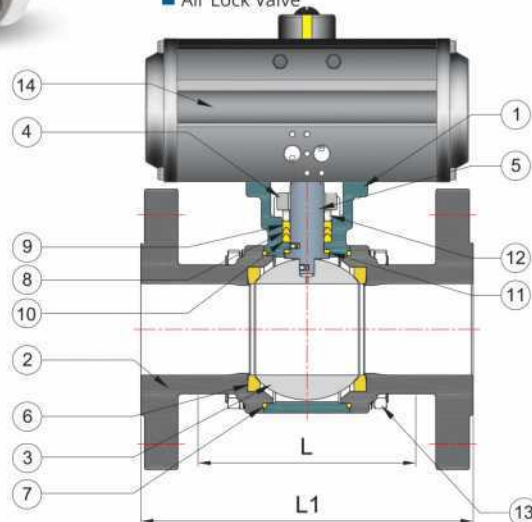
Accessories

- On / OFF Indicator
- NAMUR Standard Solenoid Valve in all Standard Coil Voltage (Flame Proof Solenoid Coil - On Request)
- Pneumatic & Electro-Pneumatic valve positioner
- Dec clutchable Manual Over - Ride
- Limit Switches for On / Off Indication at Panel Board
- Filter + Regulator Combination with Pressure Gauge
- Air Lock Valve

Cavity Filled Ball Valve Details



"aira" Cavity Filled Ball Valves are the perfectly for applications in Pharma, Food or Sanitary Industry. Media Residue in the empty cavity of conventional ball valves can pollute the media after sessions of inactivity. Cavity filled ball valves leave no space for media to remain in the cavity.



Sr. No.	Description	Material
1	Body	WCB / CF8 / CF8M / CF3M
2	Connector	WCB / CF8 / CF8M / CF3M
3	Ball	CF8 / CF8M / CF3M
4	Gland	CF8 / CF8M / CF3M
5	Stem Pin	S. S. 304 / S. S. 316
6	Ball Seat	PTFE / GFT / CFT / TFM
7	Body Seat	PTFE / GFT / CFT / TFM
8	U - Seat	PTFE / GFT / CFT / TFM
9	V - Seat	PTFE / GFT / CFT / TFM
10	Base Seat	PTFE / GFT / CFT / TFM
11	Stem Seat	PTFE / GFT / CFT / TFM
12	Spacer Ring	S. S. 304
13	Stud + Nut + Washer	S. S. 304
14	Actuator	STD.

Screwed Dimensions :

Valve Model	Valve Size		L	Weight Approx.
	Inch	MM		
OKE - 15	1/2"	15	64	1.250
OKE - 20	3/4"	20	70	1.190
OKE - 25	1"	25	88	2.200
OKE - 32	1.1/4"	32	105	2.400
OKE - 40	1.1/2"	40	114	3.650
OKE - 50	2"	50	130	5.250
OKE - 65	2.1/2"	65	170	11.050
OKE - 80	3"	80	200	13.350
OKE - 100	4"	100	210	21.250

(All Dimensions are in mm)

Note : We also provide Butt Weld & Socket Weld.

Flanged 150# Dimensions :

Valve Model	Valve Size		L1	Weight Approx.
	Inch	MM		
OKS - 15	1/2"	15	108	2.180
OKS - 20	3/4"	20	117	3.200
OKS - 25	1"	25	127	3.925
OKS - 32	1.1/4"	32	140	4.610
OKS - 40	1.1/2"	40	165	6.625
OKS - 50	2"	50	178	9.620
OKS - 65	2.1/2"	65	190	19.010
OKS - 80	3"	80	203	22.100
OKS - 100	4"	100	229	33.120
OKS - 125	5"	125	254	46.300
OKS - 150	6"	150	267	62.064
OKS - 200	8"	200	292	91.750
OKS - 250	10"	250	330	129.050
OKS - 300	12"	300	610	400.000
OKS - 350	14"	350	648	400.000

(All Dimensions are in mm)

Flanged 300# Dimensions :

Valve Model	Valve Size		L1	Weight Approx.
	Inch	MM		
3OKS - 15	1/2"	15	140	3.200
3OKS - 20	3/4"	20	152	4.525
3OKS - 25	1"	25	165	5.900
3OKS - 32	1.1/4"	32	178	7.180
3OKS - 40	1.1/2"	40	190	10.800
3OKS - 50	2"	50	216	15.320
3OKS - 65	2.1/2"	65	241	24.290
3OKS - 80	3"	80	282	30.090
3OKS - 100	4"	100	305	46.900
3OKS - 125	5"	125	381	66.730
3OKS - 150	6"	150	403	92.750
3OKS - 200	8"	200	419	139.050
3OKS - 250	10"	250	457	219.000
3OKS - 300	12"	300	648	450.000
3OKS - 350	14"	350	765	450.000

(All Dimensions are in mm)

Note : Please refer page no 29-30 for Flange Dimensions

Pub. On : March 2018 (Rev.-01)



www.airaindia.com / www.airaeuro.com

Note : Since, constant worldwide advancement in technology, We keep our rights reserved to make changes time to time in Technical specifications and Dimensions without prior notice.

3 Pc. Design Extended Shaft Floating Ball Valve

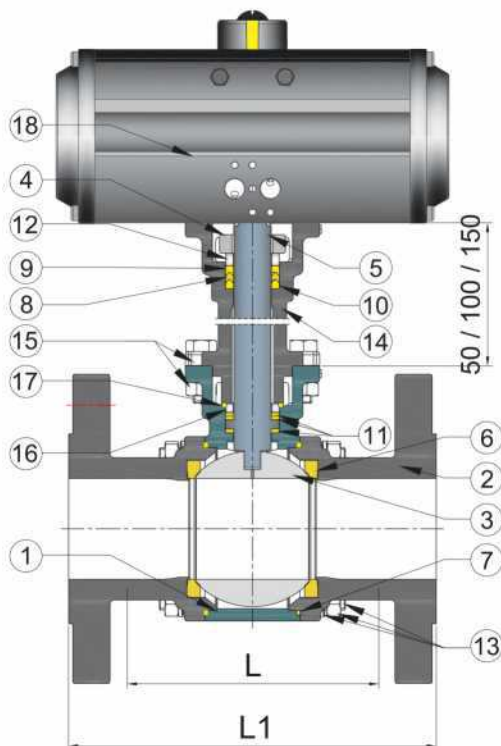


"aira" Offers Pneumatic Actuator Operated Extended Shaft 'Cryogenic' Application Floating Ball Valve. Extended Shaft ball valve designed for using in the several conditions such as Cryogenic Gas Systems, Nitrogen Injection, Oil Recovery, Air Separation Plants, Steel Plants, Heat Treatment.

Size Range : 1/2" to 4" Screwed & Flanged

Standard

- Design And Manufacturer : ASME B 16.34 / BS EN ISO 17292
- Valve Face To Face Dimension : ASME B 16.10
- Flange Standard Conformity : ASME B 16.5 Class 150 / 300 / 600
- Inspection & Testing : API 598 / ISO - 5208 / BS EN 12266 - 1
- Leakage Class : Class VI ISO - 5208



Accessories

- On / OFF Indicator
- NAMUR Standard Solenoid Valve in all Standard Coil Voltage (Flame Proof Solenoid Coil - On Request)
- Pneumatic & Electro-Pneumatic valve positioner
- Declutchable Manual Over - Ride
- Limit Switches for On / Off Indication at Panel Board
- Filter + Regulator Combination with Pressure Gauge
- Air Lock Valve

Sr. No.	Description	Material
1	Body	WCB / CF8 / CF8M / CF3M
2	Connector	WCB / CF8 / CF8M / CF3M
3	Ball	CF8 / CF8M / CF3M
4	Gland	CF8 / CF8M / CF3M
5	Stem Pin	S.S 304 / S. S. 316
6	Ball Seat	PTFE / GFT / CFT / TFM
7	Body Seat	PTFE / GFT / CFT / TFM
8	U - Seat	PTFE / GFT / CFT / TFM
9	V - Seat	PTFE / GFT / CFT / TFM
10	Base Seat	PTFE / GFT / CFT / TFM
11	Stem Seat Top & Bottom	PTFE / GFT / CFT / TFM
12	Spacer Ring	S.S 304
13	Body Fitting Stud + Nut & Washer	S.S 304
14	Bonnet	CF8 / CF8M
15	Bonnet Fitting Bolt & Nut	S.S 304
16	Bonnet Bush	S.S 304
17	'O' Ring For Extended Bonnet	NBR
18	Actuator	STD.

Screwed Dimensions :

Valve Model	Valve Size	L	Weight Approx.
Inch	MM		
OKZ - 15	1/2"	15	0.740
OKZ - 20	3/4"	20	0.980
OKZ - 25	1"	25	1.220
OKZ - 32	1.1/4"	32	2.340
OKZ - 40	1.1/2"	40	5.380
OKZ - 50	2"	50	----
OKZ - 65	2.1/2"	65	----
OKZ - 80	3"	80	200
OKZ - 100	4"	100	210

(All Dimensions are in mm)

Flanged Dimensions :

Valve Model	Valve Size	L1	Weight Approx.
Inch	MM		
OKY - 15	1/2"	15	108
OKY - 20	3/4"	20	117
OKY - 25	1"	25	127
OKY - 32	1.1/4"	32	140
OKY - 40	1.1/2"	40	165
OKY - 50	2"	50	178
OKY - 65	2.1/2"	65	190
OKY - 80	3"	80	203
OKY - 100	4"	100	229

(All Dimensions are in mm)

Note : We also provide Butt Weld & Socket Weld.

Note : Please refer page no 29-30 for Flange Dimensions

3 Pc. Design Triclover Ends Floating Ball Valve



"aira" Offers Pneumatic Actuator Operated Investment Casting WCB / CF8 / CF8M / CF3M Floating Ball Valve in Three Piece design. Engineered for On / Off operation in the down stream.

Size Range : 1/2" to 4" Triclover Ends

Standard

- Design And Manufacturer : ASME B 16.34 / BS EN ISO 17292
- Inspection & Testing : API 598 / ISO - 5208 / BS EN 12266 - 1
- Leakage Class : Class VI ISO - 5208

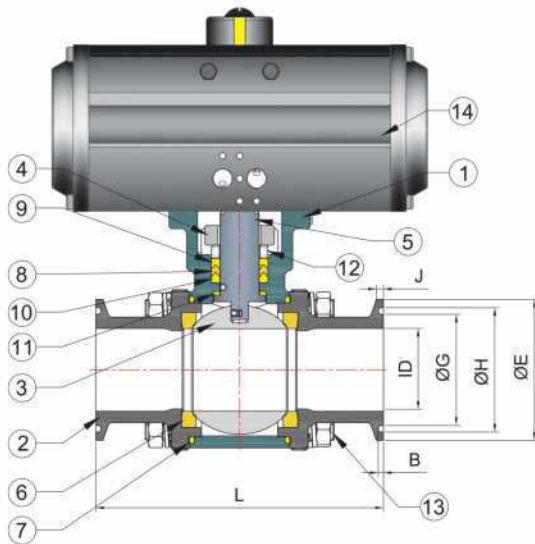
Accessories

- On / OFF Indicator
- NAMUR Standard Solenoid Valve in all Standard Coil Voltage (Flame Proof Solenoid Coil - On Request)
- Pneumatic & Electro-Pneumatic valve positioner
- Declutchable Manual Over - Ride
- Limit Switches for On / Off Indication at Panel Board
- Filter + Regulator Combination with Pressure Gauge
- Air Lock Valve

Cavity Filled Ball Valve Details



"aira" Cavity Filled Ball Valves are the perfectly for applications in Pharma, Food or Sanitary Industry. Media Residue in the empty cavity of conventional ball valves can pollute the media after sessions of inactivity. Cavity filled ball valves leave no space for media to remain in the cavity.



Sr. No.	Description	Material
1	Body	WCB / CF8 / CF8M / CF3M
2	Connector	WCB / CF8 / CF8M / CF3M
3	Ball	CF8 / CF8M / CF3M
4	Gland	CF8 / CF8M / CF3M
5	Stem Pin	S. S. 304 / S. S. 316
6	Ball Seat	PTFE / GFT / CFT / TFM
7	Body Seat	PTFE / GFT / CFT / TFM
8	U - Seat	PTFE / GFT / CFT / TFM
9	V - Seat	PTFE / GFT / CFT / TFM
10	Base Seat	PTFE / GFT / CFT / TFM
11	Stem Seat	PTFE / GFT / CFT / TFM
12	Spacer Ring	S. S. 304
13	Body Fitting Stud + Nut + Washer	S. S. 304
14	Actuator	STD.

Dimensions :

Valve Model	Valve Size		L	ID	ØG	ØH	ØE	J	B	Weight Approx.
	Inch	MM								
OKP - 15	1/2"	15	65	13	24.55	30.45	34	2.85	1.6	1.285
OKP - 20	3/4"	20	70	19	24.55	30.45	34	2.85	1.6	1.880
OKP - 25	1"	25	88	25	40.55	46.45	50.5	2.85	1.6	2.175
OKP - 32	1.1/4"	32	105	32	40.55	46.45	50.5	2.85	1.6	2.450
OKP - 40	1.1/2"	40	114	32	40.55	46.45	50.5	2.85	1.6	3.600
OKP - 50	2"	50	130	42.5	53.55	59.45	64	2.85	1.6	5.050
OKP - 65	2.1/2"	65	170	62	80.55	86.45	91	2.85	1.6	12.080
OKP - 80	3"	80	200	74	94.05	99.95	106	2.85	1.6	13.900
OKP - 100	4"	100	210	100	107.05	112.95	119	2.85	1.6	21.900

(All Dimensions are in mm)

Pub. On : March 2018 (Rev.-01)

Note : Since, constant worldwide advancement in technology, We keep our rights reserved to make changes time to time in Technical specifications and Dimensions without prior notice.

3 Pc. Design High Pressure Floating Ball Valve



"aira" Offers Pneumatic Actuator Operated Investment Casting WCB / CF8 / CF8M / CF3M Floating Ball Valve in Three Piece design. Engineered for On / Off operations in the down stream.

Size Range : 1/2" to 2" Screwed

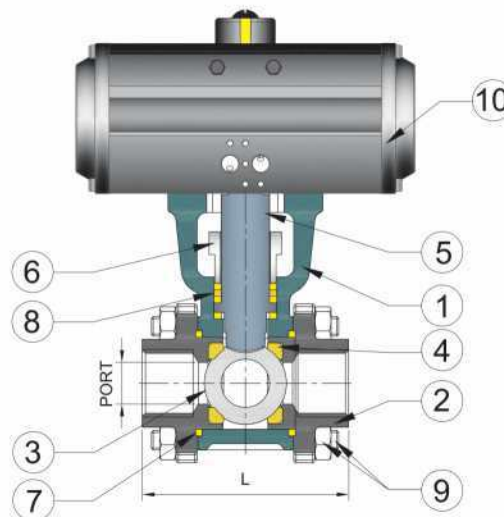
Size	Working Pressure	Hydro Body	Hydro Seat	Pneumatic Pressure
1/2" to 2"	106 Kg/cm ²	200 Kg/cm ²	106 Kg/cm ²	7 Kg/cm ²

Standard

- Design And Manufacturer : ASME B 16.34 / BS EN ISO 17292
- Threader Fitting : ASME B 1.20
- Inspection & Testing : API 598 / ISO - 5208 / BS EN 12266 - 1
- Leakage Class : Class VI ISO - 5208

Accessories

- On / OFF Indicator
- NAMUR Standard Solenoid Valve in all Standard. Coil Voltage (Flame Proof Solenoid Coil - On Request)
- Pneumatic & Electro-Pneumatic valve positioner
- Declutchable Manual Over - Ride
- Limit Switches for On / Off Indication at Panel Board
- Filter + Regulator Combination with Pressure Gauge
- Air Lock Valve



Sr. No.	Description	Material
1	Body	WCB / CF8 / CF8M
2	Connector	WCB / CF8 / CF8M
3	Ball	CF8 / CF8M
4	Ball Seat	CFT
5	Stem Pin	S. S. 304
6	Gland with Bush	S. S. 304
7	Body Seat	CFT
8	Stem Seat	CFT
9	Nut + Stud + Washer	S. S. 304
10	Actuator	STD.

Dimensions :

Valve Model	Valve Size		L	Port	Weight Approx.
	Inch	MM			
HBA - 15	1/2"	15	64	13	3.550
HBA - 20	3/4"	20	70	19	3.800
HBA - 25	1"	25	88	25	4.150
HBA - 32	1.1/4"	32	105	32	6.850
HBA - 40	1.1/2"	40	114	38	7.800
HBA - 50	2"	50	130	49	11.300

(All Dimensions are in mm)

Pub. On : March 2018 (Rev.-01)

3 Pc. Design Metal to Metal Floating Ball Valve



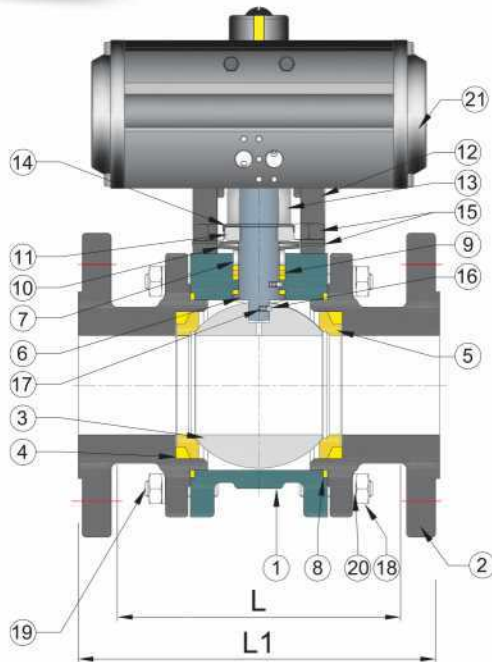
"aira" Offers Pneumatic Actuator Operated Metal Seated Floating Ball Valve designed for using in the several conditions such as high temperature & high friction fluid like abrasive fluids of Oil & Gas, Petroleum, Petrochemical, Chemical Power Generation, Pulp & Paper, Mining Industry

Size Range : 1/2" to 4" Screwed / Flanged Standard

- Design And Manufacturer : BS EN ISO 17292 / ASME B16.34
- Valve Face To Face Dimension : ASME B 16.10
- Flange Standard Conformity : ASME B 16.5 Class 150# / 300# / 600#
- Inspection & Testing : API 598 / ISO - 5208
- Leakage Class : Class IV to V

Accessories

- On / OFF Indicator
- NAMUR Standard Solenoid Valve in all Standard Coil Voltage (Flame Proof Solenoid Coil - On Request)
- Pneumatic & Electro-Pneumatic valve positioner
- Declutchable Manual Over - Ride
- Limit Switches for On / Off Indication at Panel Board
- Filter + Regulator Combination with Pressure Gauge
- Air Lock Valve



Extra Coating Details On Ball & Ball Seat

Coating Material	Maximum Temperature
Tungsten Carbide (WC-CO)	-200 °C to 450 °C (On Request)
Tungsten Chromium Carbide (WC-COCRC)	-50 °C to 300 °C (On Request)
Chromium Carbide (Cr7C3+25%NiCr)	-200 °C to 800 °C (On Request)
Hard (Trivalent Chromium) (HCr)	-50 °C to 450 °C (On Request)
Nickle Chrome Boron Silica (NiCrBSi)	-200 °C to 700 °C (On Request)
Electroless Nickel Plating (ENP)	-50 °C to 450 °C (On Request)
Stellite - 6 (CoCrWC)	1200 °C (On Request)
Nitriding & Lapping	450 °C (Regular)

Screwed Dimensions :

Valve Model	Valve Size		L	Weight Approx.
	Inch	MM		
BMS - 15	1/2"	15	71	3.700
BMS - 20	3/4"	20	94	4.700
BMS - 25	1"	25	108.5	6.500
BMS - 32	1.1/4"	32	116	7.200
BMS - 40	1.1/2"	40	128	8.500
BMS - 50	2"	50	158	13.850
BMS - 65	2.1/2"	65	185	20.700
BMS - 80	3"	80	205	29.200
BMS - 100	4"	100	239	43.900

(All Dimensions are in mm)

Flanged Dimensions :

Valve Model	Valve Size		L1	Weight Approx.
	Inch	MM		
BMF - 15	1/2"	15	108	4.350
BMF - 20	3/4"	20	117	5.950
BMF - 25	1"	25	127	7.700
BMF - 32	1.1/4"	32	140	8.850
BMF - 40	1.1/2"	40	165	10.650
BMF - 50	2"	50	178	15.000
BMF - 65	2.1/2"	65	190	27.300
BMF - 80	3"	80	203	36.550
BMF - 100	4"	100	229	51.900

(All Dimensions are in mm)

Note : Big Sizes 5" to 10" On Request. / Note : 300# & 600# Dimension are On Request.

Note : Please refer page no 29-30 for Flange Dimensions

Sr. No.	Description	Material
1	Body	WCB / CF8 / CF8M / CF3M
2	Connector	WCB / CF8 / CF8M / CF3M
3	Ball	CF8 / CF8M / CF3M
4	Ball Back Seat	CFT
5	Ball Seat	S.S. 304 / 316
6	Stem Pin	S.S. 304 / 316
7	Spacer Ring	S.S. 304 / 316
8	Body Seat	CFT
9	Stem Seat	CFT
10	Disc Spring	Spring Steel
11	Steam Nut	S. S. 304
12	Bracket	WCB / CF8 / CF8M / CF3M
13	Adaptor	S. S. 304
14	Lock Washer	S. S. 304
15	Bracket Fitting Hex Bolt + Spring Washer	S. S. 304
16	Antistatic Ball	S. S. 304
17	Antistatic Spring	S. S. 302
18	Fitting Nut	H. T. / S. S. 304
19	Fitting Stud	H. T. / S. S. 304
20	Spring Washer	H. T. / S. S. 304
21	Actuator	STD.

Pub. On : March 2018 (Rev.-01)

2 Pc. Design "OKM" Floating Ball Valve



"aira" Offers Pneumatic Actuator Operated Two Piece design Floating Ball Valve, Engineered for multiple On / Off operations in the down stream.

**Size Range : 1/2" to 10" Flanged 150# / 300# / 600#
Standard**

- Design And Manufacturer : ASME B 16.34 / BS EN ISO 17292
- Valve Face To Face Dimension : ASME B 16.10
- Flange Standard Conformity : ASME B 16.5 Class 150 / 300
- Inspection & Testing : API 598 / ISO - 5208 / BS EN 12266 - 1
- Leakage Class : Class VI ISO - 5208

Accessories

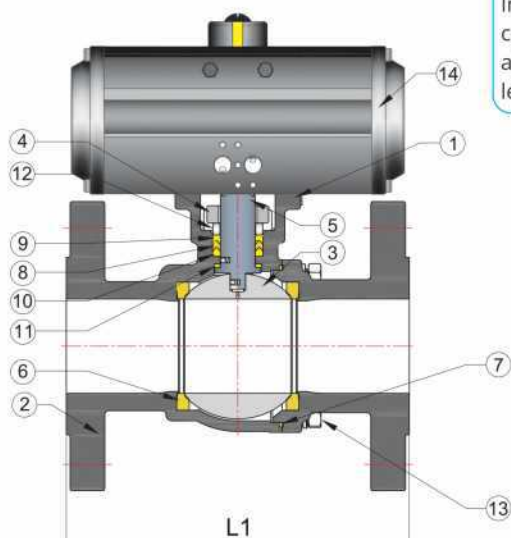
- On / OFF Indicator
- NAMUR Standard Solenoid Valve in all Standard Coil Voltage (Flame Proof Solenoid Coil - On Request)
- Pneumatic & Electro-Pneumatic valve positioner
- Declutchable Manual Over - Ride
- Limit Switches for On / Off Indication at Panel Board
- Filter + Regulator Combination with Pressure Gauge
- Air Lock Valve



Cavity Filled Ball Valve Details



"aira" Cavity Filled Ball Valves are the perfectly for applications in Pharma, Food or Sanitary Industry. Media Residue in the empty cavity of conventional ball valves can pollute the media after sessions of inactivity. Cavity filled ball valves leave no space for media to remain in the cavity.



Sr. No.	Description	Material
1	Body	WCB / CF8 / CF8M / CF3M
2	Connector	WCB / CF8 / CF8M / CF3M
3	Ball	CF8 / CF8M / CF3M
4	Gland	CF8 / CF8M / CF3M
5	Stem Pin	S. S. 304 / S. S. 316
6	Ball Seat	PTFE / GFT / CFT / TFM
7	Body Seat	PTFE / GFT / CFT / TFM
8	U-Seat	PTFE / GFT / CFT / TFM
9	V-Seat	PTFE / GFT / CFT / TFM
10	Base Seat	PTFE / GFT / CFT / TFM
11	Stem Seat Bottom	PTFE / GFT / CFT / TFM
12	Spacer Ring	S. S. 304
13	Body Fitting + Stud + Nut & Washer	S.S. 304
14	Actuator	STD.

Flanged 150# Dimensions :

Valve Model	Valve Size		L1	Weight Approx.
	Inch	MM		
OKM - 15	1/2"	15	108	2.070
OKM - 20	3/4"	20	117	3.100
OKM - 25	1"	25	127	3.780
OKM - 32	1.1/4"	32	140	4.520
OKM - 40	1.1/2"	40	165	6.440
OKM - 50	2"	50	178	9.345
OKM - 65	2.1/2"	65	190	18.330
OKM - 80	3"	80	203	21.270
OKM - 100	4"	100	229	31.850
OKM - 125	5"	125	254	41.500
OKM - 150	6"	150	267	58.760
OKM - 200	8"	200	292	87.750
OKM - 250	10"	250	330	124.300

(All Dimensions are in mm)

Flanged 300# Dimensions :

Valve Model	Valve Size		L1	Weight Approx.
	Inch	MM		
30KM - 15	1/2"	15	140	3.070
30KM - 20	3/4"	20	152	4.430
30KM - 25	1"	25	165	5.975
30KM - 32	1.1/4"	32	178	7.065
30KM - 40	1.1/2"	40	190	10.590
30KM - 50	2"	50	216	15.030
30KM - 65	2.1/2"	65	241	23.480
30KM - 80	3"	80	282	29.300
30KM - 100	4"	100	305	46.000
30KM - 125	5"	125	381	62.500
30KM - 150	6"	150	403	90.650
30KM - 200	8"	200	419	136.550
30KM - 200	10"	250	457	210.000

(All Dimensions are in mm)

Flanged 600# Dimensions :

Valve Model	Valve Size		L1	Weight Approx.
	Inch	MM		
60KM - 15	1/2"	15	165	On Request
60KM - 20	3/4"	20	190	
60KM - 25	1"	25	216	
60KM - 32	1.1/4"	32	229	
60KM - 40	1.1/2"	40	241	
60KM - 50	2"	50	292	
60KM - 65	2.1/2"	65	330	
60KM - 80	3"	80	356	
60KM - 100	4"	100	432	
60KM - 125	5"	125	508	
60KM - 150	6"	150	559	
60KM - 200	8"	200	660	
60KM - 200	10"	250	787	

(All Dimensions are in mm)

Note : Please refer page no 29-30 for Flange Dimensions

Pub. On : March 2018 (Rev.-01)

2 Pc. Design "VGO" Floating Ball Valve



"aira" Offers Pneumatic Actuator Operated High Performance Two Piece Design Floating Ball Valve. Engineered for vigorous application with reliable long life.

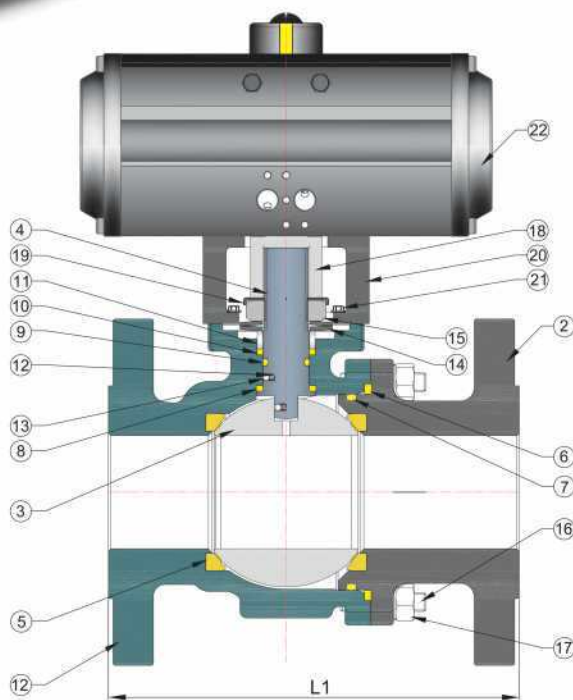
Size Range : 1/2" to 14" Flanged 150# (Upto 1500# On Request)

Standard

- Design And Manufacturer : BS EN ISO 17292 / ASME B 16.34
- Valve Face To Face Dimension : ASME B 16.10
- Flange Standard Conformity : ASME B 16.5 Class 150 / 300
- Inspection & Testing : API 598 / ISO - 5208 / BS EN 12266 - 1
- Leakage Class : Class VI ISO - 5208



**FIRE SAFE
DESIGN
AVAILABLE**



Accessories

- On / OFF Indicator
- NAMUR Standard Solenoid Valve in all Standard Coil Voltage (Flame Proof Solenoid Coil - On Request)
- Pneumatic & Electro-Pneumatic valve positioner
- Declutchable Manual Over - Ride
- Limit Switches for On / Off Indication at Panel Board
- Filter + Regulator Combination with Pressure Gauge
- Air Lock Valve

Flanged 150# Dimensions :

Valve Model	Valve Size Inch	MM	L1	Weight Approx.
VGO - 15	1/2"	15	108	2.400
VGO - 20	3/4"	20	117	4.600
VGO - 25	1"	25	127	5.100
VGO - 32	1.1/4"	32	140	5.800
VGO - 40	1.1/2"	40	165	8.750
VGO - 50	2"	50	178	10.800
VGO - 65	2.1/2"	65	190	16.200
VGO - 80	3"	80	203	24.750
VGO - 100	4"	100	229	36.150
VGO - 125	5"	125	254	56.900
VGO - 150	6"	150	267	90.800
VGO - 200	8"	200	457	175.750
VGO - 250	10"	250	533.4	----
VGO - 300	12"	300	609.6	----
VGO - 350	14"	350	----	----

(All Dimensions are in mm)

Flanged 300# Dimensions :

Valve Model	Valve Size Inch	MM	L1	Weight Approx.
3VGO - 15	1/2"	15	140	3.550
3VGO - 20	3/4"	20	152	6.050
3VGO - 25	1"	25	165	8.450
3VGO - 32	1.1/4"	32	178	10.750
3VGO - 40	1.1/2"	40	190	14.700
3VGO - 50	2"	50	216	18.850
3VGO - 65	2.1/2"	65	241	27.490
3VGO - 80	3"	80	282	38.000
3VGO - 100	4"	100	305	59.700
3VGO - 125	5"	125	381	99.000
3VGO - 150	6"	150	403	113.880
3VGO - 200	8"	200	502	235.900
3VGO - 250	10"	250	568.4	----
3VGO - 300	12"	300	648	----
3VGO - 350	14"	350	----	----

(All Dimensions are in mm)

Sr. No.	Description	Material
1	Body	WCB / CF8 / CF8M / CF3M
2	Connector	WCB / CF8 / CF8M / CF3M
3	Ball	CF8 / CF8M / CF3M
4	Stem Pin	S. S. 304 / 316
5	Ball Seat	PTFE / GFT / CFT / TFM
6	Body Seat	Grafoil
7	Conn. 'O' Ring	NBR / EPFM / VITON
8	Stem Seat Bottom	PTFE / GFT / CFT / TFM
9	Stem 'O' Ring	NBR / EPFM / VITON
10	Stem Seat Top	Grafoil
11	Spacer Ring	S. S. 304 / 316
12	Antistatic Spring	S. S. 302
13	Antistatic Ball	S. S. 304
14	Disc Spring	Spring Steel
15	Stem & Handle Nut	S. S. 304
16	Fitting Stud	H. T. / S. S. 304
17	Fitting Nut + Spring Washer	H. T. / S. S. 304
18	Adapter	S. S. 304
19	Lock Washer	S. S. 304
20	Bracket	WCB / CF8 / CF8M
21	Brac. Fitting Hexbolt + Spring Washer	S. S. 304
22	Actuator	STD.

Note : Please refer page no 29-30 for Flange Dimensions

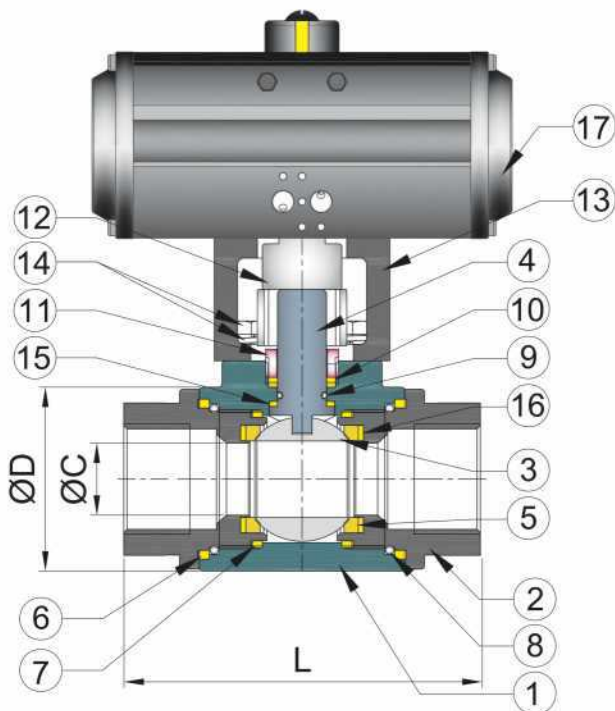
High Pressure "WOG-3000" Floating Ball Valve



"aira" Offers Pneumatic Actuator Operated Low Torque High Pressure Floating Ball Valve. This range offers reliable option of high pressure application. These valve are recommended for the use in Oil, Gas, Petrochemicals where the long life is required.

Size Range : 1/2" to 2" Screwed (BSP / NPT Thread)

Size	Seat	Working Pressure	Hydro Body	Hydro Seat	Pneumatic Pressure
1/2" to 2"	PEEK	200 Kg/cm ²	300 Kg/cm ²	220 Kg/cm ²	10 Kg/cm ²
1/2" to 2"	CFT	100 Kg/cm ²	300 Kg/cm ²	100 Kg/cm ²	10 Kg/cm ²



Accessories

- On / OFF Indicator
- NAMUR Standard Solenoid Valve in all Standard Coil Voltage (Flame Proof Solenoid Coil - On Request)
- Pneumatic & Electro-Pneumatic valve positioner
- Declutchable Manual Over - Ride
- Limit Switches for On / Off Indication at Panel Board
- Filter + Regulator Combination with Pressure Gauge
- Air Lock Valve

Dimensions :

Valve Model	Valve Size		L	ØC Bore	ØD	Weight Approx.
	Inch	MM				
WOG - 15	1/2"	15	98	12.5	39	2.530
WOG - 20	3/4"	20	108	18	48	3.440
WOG - 25	1"	25	108	22	55.5	4.100
WOG - 32	1.1/4"	32	133	32	76.5	8.150
WOG - 40	1.1/2"	40	133	32	76.5	7.580
WOG - 50	2"	50	159	38	89.5	13.790

(All Dimensions are in mm)

Sr. No.	Description	Material
1	Body	WCB / CF8 / CF8M / CF3M
2	Connector	WCB / CF8 / CF8M / CF3M
3	Ball	S.S.304 / 316
4	Stem Pin	S.S.304 / 316
5	Ball Seat	PEEK
6	Body Seat	CFT
7	Conn Seat	CFT
8	Conn 'O' - Ring	NBR
9	Stem 'O' - Ring	NBR
10	Stem Seat	CFT
11	Lock Bush	S.S.304 / 316
12	Adaptor	S.S.304
13	Bracket	WCB / CF8 / CF8M
14	Bracket Fitting Bolt & Washer	S.S.304
15	Stem Bottom Seat	CFT
16	Ball Secondary Seat	CFT
17	Actuator	STD.

Pub. On : March 2018 (Rev.-01)



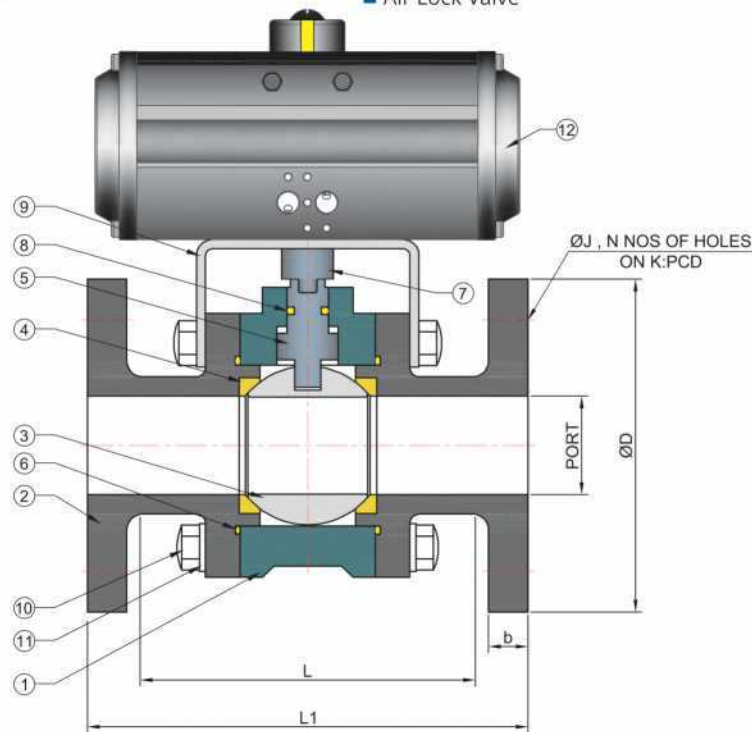
"aira" Offers Pneumatic Actuator Operated Polypropylene Body Ball Valve, engineered for multiple On / Off Operations in the Highly Corrosive Alkalis & Acidic Media.

Size Range : 1/2" to 12" Screwed / Flanged

Body	150 PSI
Seat	150 PSI
Temperature	100 °C

Accessories

- On / OFF Indicator
- NAMUR Standard Solenoid Valve in all Standard Coil Voltage (Flame Proof Solenoid Coil - On Request)
- Pneumatic & Electro-Pneumatic valve positioner
- Declutchable Manual Over - Ride
- Limit Switches for On / Off Indication at Panel Board
- Filter + Regulator Combination with Pressure Gauge
- Air Lock Valve



Dimensions :

Valve Model	Valve Size		L (Screwed)	Flanged 150#					
	Inch	MM		L1	b	ØD	ØJ	N	K:PCD
BMW - PP - 15	1/2"	15	127	131	16.5	100	15.9	4	60.3
BMW - PP - 20	3/4"	20	139	132	14.5	102	15.9	4	69.9
BMW - PP - 25	1"	25	150	152	18.5	121	15.9	4	79.4
BMW - PP - 32	1.1/4"	32	172	165	18	124	15.9	4	88.9
BMW - PP - 40	1.1/2"	40	172	165	18.5	140	15.9	4	98.4
BMW - PP - 50	2"	50	209	209	22.5	165	19.05	4	120.7
BMW - PP - 65	2.1/2"	65	248	230	22.5	184	19.05	4	139.7
BMW - PP - 80	3"	80	250	254	24	203	19.05	4	152.4
BMW - PP - 100	4"	100	----	310	27	229	19.05	8	190.5
BMW - PP - 150	6"	150	----	477	28	305	22.5	8	241.3
BMW - PP - 200	8"	200	----	477	30	368	22.5	8	298.5
BMW - PP - 250	10"	250	----	560	31	432	25.4	12	362
BMW - PP - 300	12"	300	----	560	31	489	25.4	12	431.8

(All Dimensions are in mm)

Sr. No.	Description	Material
1	Body	Polypropylene
2	End Connector	Polypropylene
3	Ball	Polypropylene
4	Ball Seat	PTFE
5	Stem Pin	S.S. 304 / S. S. 316
6	Body Seat	PTFE
7	Adapter	S.S. 304
8	Stem 'O' Ring	NBR
9	Clamp	S.S. 304
10	Bolt + Nut	S.S. 304
11	Washer	S.S. 304
12	Actuator	STD.

"aira" Offers Pneumatic Actuator Operated Investment Casting WCB / CF8 / CF8M / CF3M Wafer Type Floating Ball Valve. Wafer type ball valve application Chemical Product, Food Plants, Distribution line for Gas, Air, Water.

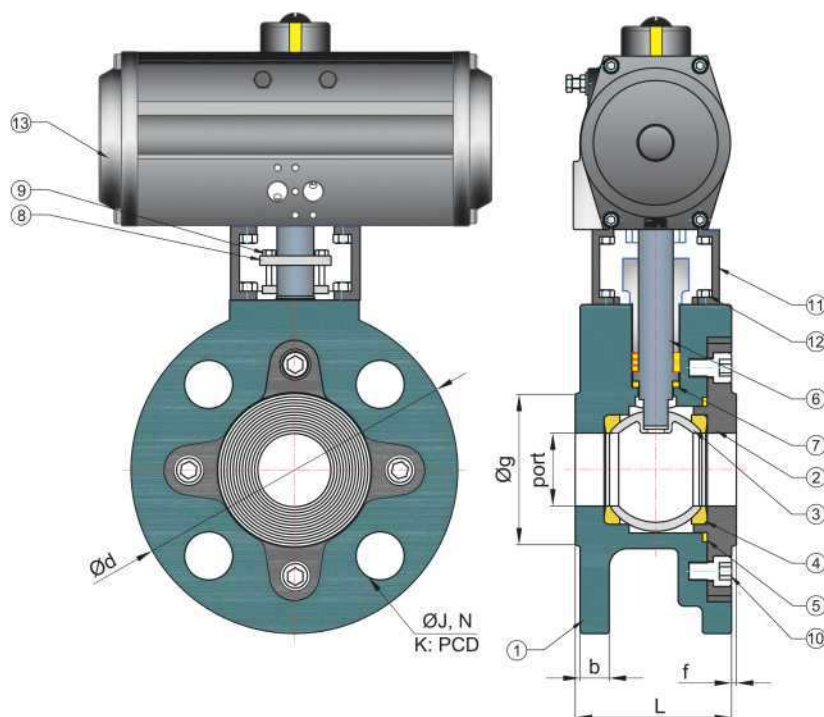
Size Range : 1/2" to 4" Wafer Type

Standard

- Design And Manufacturer : ASME B 16.34 / BS EN ISO 17292
- Valve Face To Face Dimension : As Per Manufacturer std.
- Flange Standard Conformity : ASME B 16.5 Class 150 / 300
- Inspection & Testing : ISO - 5208 / BS EN 12266 - 1
- Leakage Class : Class VI ISO - 5208

Replaceable Seat

CE Approved



Accessories

- On / OFF Indicator
- NAMUR Standard Solenoid Valve in all Standard Coil Voltage (Flame Proof Solenoid Coil - On Request)
- Pneumatic & Electro-Pneumatic valve positioner
- Declutchable Manual Over - Ride
- Limit Switches for On / Off Indication at Panel Board
- Filter + Regulator Combination with Pressure Gauge
- Air Lock Valve

Dimensions :

Valve Model	Valve Size		L	b	f	Port	Øg	ØD	ØJ	N	PCD	Weight Approx.
	Inch	MM										
WTB - 25	1"	25	54	9.6	2	25	50.8	110	15.88	4	79.4	3.300
WTB - 32	1.1/4"	32	58.5	11.2	2	32	63.5	115	15.88	4	88.9	4.380
WTB - 40	1.1/2"	40	63	12.7	2	38	73	127	15.88	4	98.4	4.700
WTB - 50	2"	50	73	14.3	2	49	92.1	152	19.05	4	120.7	7.050
WTB - 65	2.1/2"	65	96	15.9	2	62	104.65	177.8	19.05	4	139.7	14.050
WTB - 80	3"	80	118	17.5	2	74	127	190	19.05	4	152.4	16.550
WTB - 100	4"	100	140	22.3	2	100	157.2	230	19.05	8	190.5	26.000

(All Dimensions are in mm)

Sr. No.	Description	Material
1	Body	WCB / CF8 / CF8M / CF3M
2	Connector	WCB / CF8 / CF8M / CF3M
3	Ball	CF8 / CF8M / CF3M
4	Ball Seat	PTFE / GFT / CFT / TFM
5	Body Seat	PTFE / GFT / CFT / TFM
6	Stem Pin	S. S. 304 / S. S. 316
7	Stem Seat	PTFE / GFT / CFT / TFM
8	Gland with Bush	CF8 / CF8M
9	Gland Fitting Bolt	S. S. 304
10	Allen Bolt	S. S. 304
11	Bracket	WCB / CF8 / CF8M
12	Bracket Fitting Bolt & Washer	S. S. 304
13	Actuator	STD.



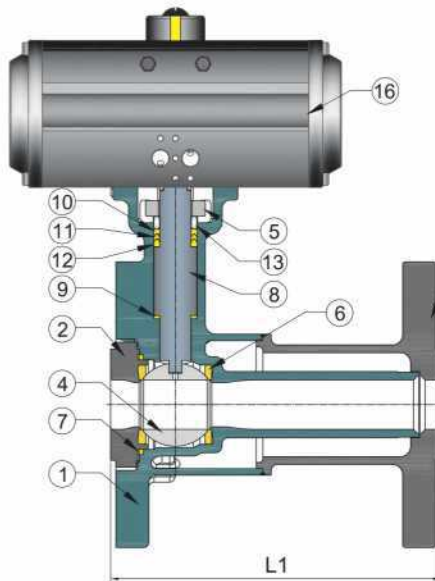
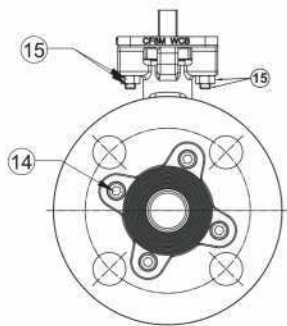
"aira" Offers Pneumatic Actuator Operated Single Piece design full bore Jacketed Floating Ball Valve are designed. Jacketed construction for standard bore valves. The Jacket comes in single piece construction welded together. The Jackets of the valves can be rated for heat transfer media pressure upto 10 Kg/cm² The valves. The valve can be used sanitary application jacketed ball valves. jacketed ball valve designed for using in the several condition such as applications : Filter dryer, Vacuum dryer, Stirrer Vessel, Rector Other Vessel, Chemical, Pharmaceutical, Food, Cosmetic, Fluids, Emulsion, Syrup, Paints, Chocolate etc....



Size Range : 3/4"X1/2" to 6"X4" Flanged Standard

Replaceable Seal Ball Valve

- Design And Manufacturer : ASME B 16.34
- Valve Face To Face Dimension : As Per Manufacturer std.
- Flange Standard Conformity : ASME B 16.5 Class 150 / 300
- Inspection & Testing : ISO - 5208 / BS EN 12266 - 1
- Leakage Class : Class VI ISO - 5208



Accessories

- On / OFF Indicator
- NAMUR Standard Solenoid Valve in all Standard Coil Voltage (Flame Proof Solenoid Coil - On Request)
- Pneumatic & Electro-Pneumatic valve positioner
- Declutchable Manual Over - Ride
- Limit Switches for On / Off Indication at Panel Board
- Filter + Regulator Combination with Pressure Gauge
- Air Lock Valve

Dimensions :

Valve Model	Valve Size		L1	Weight Approx.
	Inch	MM		
KLG - 20	3/4"X1/2"	20X15	117	2.660
KLG - 25	1"X3/4"	25X20	127	3.870
KLG - 32	1.1/4"X1"	32X25	140	4.580
KLG - 40	1.1/2"X1.1/4"	40X32	165	5.500
KLG - 50	2"X1.1/2"	50X40	178	8.500
KLG - 65	2.1/2"X2"	65X50	190	13.100
KLG - 80	3"X2.1/2"	80X65	203	20.000
KLG - 100	4"X3"	100X80	229	26.000
KLG - 150	6"X4"	150X100	267	45.000

(All Dimensions are in mm)

Sr. No.	Description	Material
1	Body	WCB / CF8 / CF8M / CF3M
2	Connector	WCB / CF8 / CF8M / CF3M
3	Flange	CF8 / CF8M / CF3M
4	Ball	CF8 / CF8M / CF3M
5	Gland	CF8 / CF8M / CF3M
6	Ball Seat	PTFE / CFT / GFT
7	Body Seat	PTFE / CFT / GFT
8	Stem Pin	S. S. 304 / S. S. 316
9	Stem Seat	PTFE / CFT / GFT
10	V - Seat	PTFE / CFT / GFT
11	U - Seat	PTFE / CFT / GFT
12	Base Seat	PTFE / CFT / GFT
13	Spacer Ring	S. S. 304
14	L. N. Bolt	S. S. 304
15	Gland Fitting Bolt + Nut	S. S. 304
16	Actuator	STD.

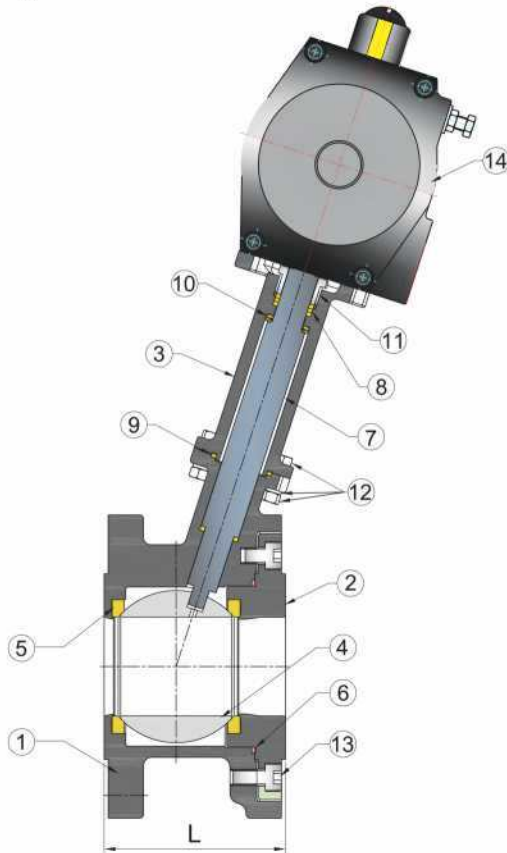
Note : Please refer page no 29-30 for Flange Dimensions

"aira" Offers Pneumatic Actuator Operated Wafer Type Full Bore Flush Bottom Floating Ball Valve. The FBB Series Flush Bottom Ball Valve incorporates all the benefits of ball valve negluting the disadvantage of conventional flush bottom valve. FBB Series valve incorporates the geometric design mounting pad, allowing a smooth flow and prevent stagnating of the media. Gases, Fluids, Emulsion, Syrup, Paints, Food Products etc...

Size Range : 2" & 3" Flanged

Standard

- Design And Manufacturer : ASME B 16.34
- Valve Face To Face Dimension : As Per Manufacturer std.
- Flange Standard Conformity : ASME B 16.5 Class 150 / 300
- Inspection & Testing : ISO - 5208 / BS EN 12266 - 1
- Leakage Class : Class VI ISO - 5208



Accessories

- On / OFF Indicator
- NAMUR Standard Solenoid Valve in all Standard Coil Voltage (Flame Proof Solenoid Coil - On Request)
- Pneumatic & Electro-Pneumatic valve positioner
- Declutchable Manual Over - Ride
- Limit Switches for On / Off Indication at Panel Board
- Filter + Regulator Combination with Pressure Gauge
- Air Lock Valve

Dimensions :

Valve Model	Valve Size		L	Weight Approx.
	Inch	MM		
FBB - 50	2"	50	90	9.000
FBB - 80	3"	80	122	20.000

(All Dimensions are in mm)

Sr. No.	Description	Material
1	Body	WCB / CF8 / CF8M / CF3M
2	Connector	WCB / CF8 / CF8M / CF3M
3	Bonnet (100MM EXTENDED)	WCB / CF8 / CF8M / CF3M
4	Ball	CF8 / CF8M / CF3M
5	Ball Seat	PTFE / CFT / GFT
6	Body Seat	PTFE / CFT / GFT
7	Stem Pin	S.S.304 / 316
8	Stem Seat	PTFE / CFT / GFT
9	Body Bonnet Seat	PTFE / CFT / GFT
10	Disc Spring	Spring Steel
11	Lock Nut	S.S.304
12	Bonnet Fitting Bolt + Nut + Washer	S.S.304
13	L.N Bolt For Body + Connector Fitting	S.S.304
14	Actuator	STD.

Note : Please refer page no 29-30 for Flange Dimensions

Flush Bottom Reduce Bore Floating Ball Valve



"aira" Offers Pneumatic Actuator Operated Flush Bottom Reduce bore ball valve designed for using in the several condition such as Application : Filter dryer, Vacuum dryer, Stirrer vessel, Rector, Other Vessel, Chemical, Pharmaceutical, Food, Cosmetics, Fluids, Emulsion, Syrup, Paints, Food Product Chocolate etc...

Size Range : 3" to 12" Flanged

Standard

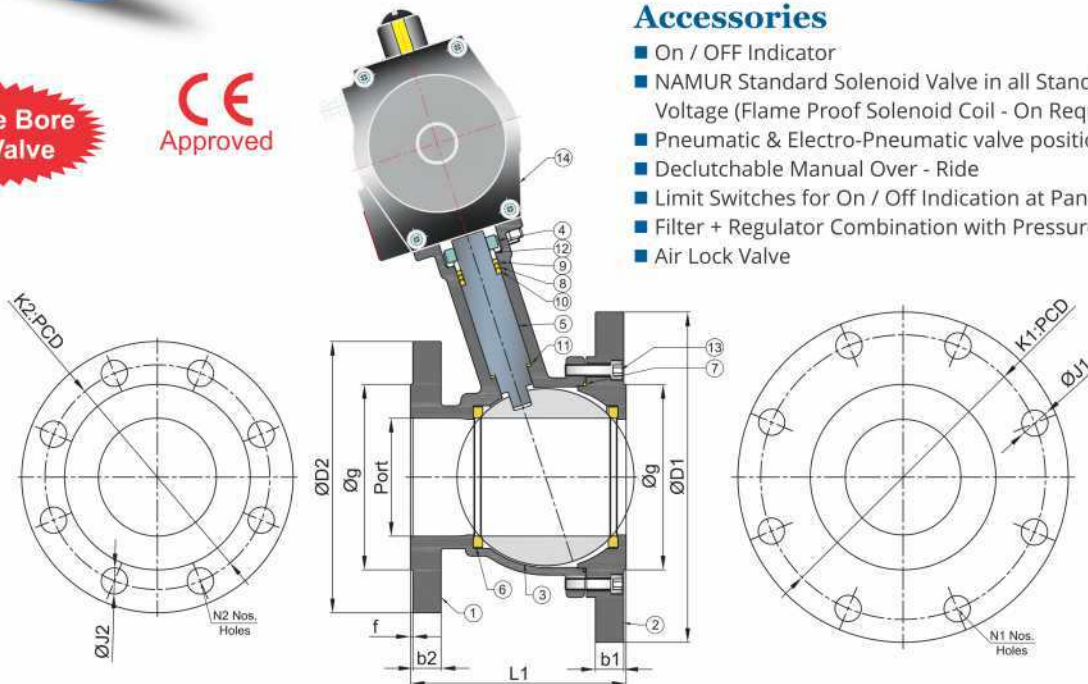
- Design And Manufacturer : ASME B 16.34
- Valve Face To Face Dimension : As Per Manufacturer std.
- Flange Standard Conformity : ASME B 16.5 Class 150 / 300
- Inspection & Testing : ISO - 5208 / BS EN 12266 - 1
- Leakage Class : Class VI ISO - 5208

Accessories

- On / OFF Indicator
- NAMUR Standard Solenoid Valve in all Standard Coil Voltage (Flame Proof Solenoid Coil - On Request)
- Pneumatic & Electro-Pneumatic valve positioner
- Declutchable Manual Over - Ride
- Limit Switches for On / Off Indication at Panel Board
- Filter + Regulator Combination with Pressure Gauge
- Air Lock Valve

Reduce Bore Ball Valve

CE Approved



Dimensions :

Valve Model	Valve Size		L1	Weight Approx.
	Inch	MM		
FRB - 80	3" X 2.1/2"	80 X 65	140	On Request
FRB - 100	4" X 3"	100 X 80	154	
FRB - 150	6" X 4"	150 X 100	183	
FRB - 200	8" X 6"	200 X 150	231	
FRB - 250	10" X 8"	250 X 200	274	
FRB - 300	12" X 10"	300 X 250	330	

(All Dimensions are in mm)

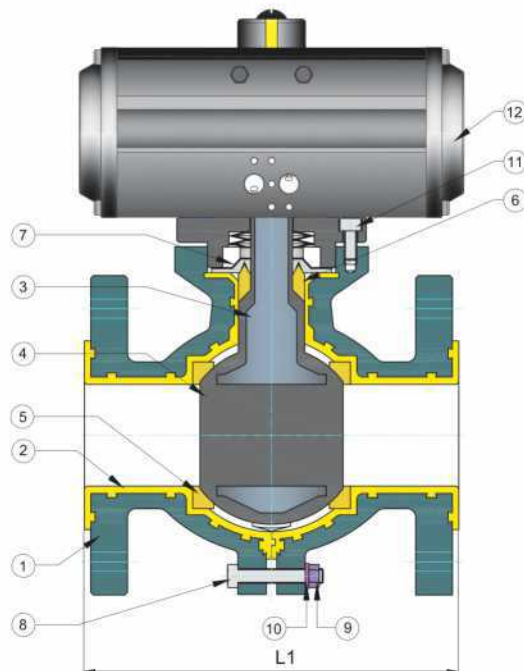
Sr. No.	Description	Material
1	Body	WCB / CF8 / CF8M / CF3M
2	Connector	WCB / CF8 / CF8M / CF3M
3	Ball	CF8 / CF8M / CF3M
4	Gland	CF8 / CF8M / CF3M
5	Stem Pin	S. S. 304 / S. S. 316
6	Ball Seat	PTFE / CFT / GFT
7	Body Seat	PTFE / CFT / GFT
8	U - Seat	PTFE / CFT / GFT
9	V - Seat	PTFE / CFT / GFT
10	Base Seat	PTFE / CFT / GFT
11	Stem Seat	PTFE / CFT / GFT
12	Spacer Ring	S. S. 304
13	Body Fitting L. N. Bolt	S. S. 304
14	Actuator	STD.

Note : Please refer page no 29-30 for Flange Dimensions

"aira" Offers Pneumatic Actuator Operated Lined Ball Valves offers economical solution for the vast majority of chemical applications while maintaining the highest possible degree of performance in terms of in-line leakage and fugitive emissions. The lower torque of our lined ball valve design permits use of smaller actuators, allowing cost reductions and creating space saving opportunities. The dynamic body joint design retains pressure boundary during thermal cycles.

Size Range : 1/2" to 8" Flanged

Valve Specification	
Working Pressure	10 Kg/cm ²
Working Temperature	FEP : Upto 180 °C
	PFA : Upto 230 °C
Valve Rating	150#



Dimensions :

Valve Model	Valve Size		L1	Weight Approx.	
	Inch	MM		S. G. Iron	IC CF8
TBA - 15	1/2"	15	140	----	4.000
TBA - 20	3/4"	20	140	----	4.670
TBA - 25	1"	25	130.5	7.700	7.400
TBA - 40	1.1/2"	40	167	10.100	9.700
TBA - 50	2"	50	181	14.700	12.900
TBA - 65	2.1/2"	65	206	22.100	19.200
TBA - 80	3"	80	207	30.500	30.900
TBA - 100	4"	100	226	39.500	37.500
TBA - 150	6"	150	267	On Req.	On Req.
TBA - 200	8"	200	465	On Req.	On Req.

(All Dimensions are in mm)



Standard

- Design And Manufacturer : ASME B 16.34 / BS EN ISO 17292
- Valve Face To Face Dimension : As Per Manufacturer std.
- Flange Standard Conformity : ASME B 16.5 Class 150 / 300
- Inspection & Testing : BS EN 12266 - 1 / ISO - 5208
- Leakage Class : Class VI ISO - 5208

Accessories

- On / OFF Indicator
- NAMUR Standard Solenoid Valve in all Standard Coil Voltage (Flame Proof Solenoid Coil - On Request)
- Pneumatic & Electro-Pneumatic valve positioner
- Declutchable Manual Over - Ride
- Limit Switches for On / Off Indication at Panel Board
- Filter + Regulator Combination with Pressure Gauge
- Air Lock Valve

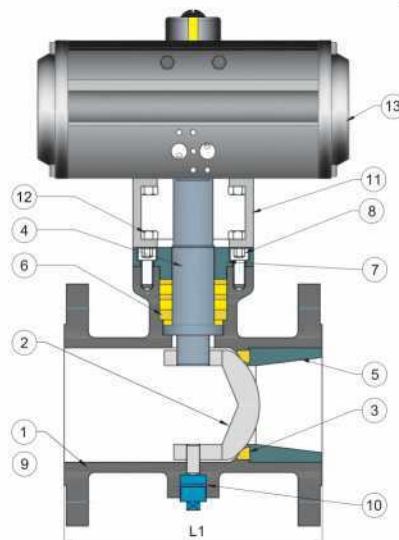
Sr. No.	Description	Material
1	Body	WCB / CF8 / CF8M / S. G. Iron / D. I.
2	Body Molding	FEP / PFA
3	Ball with Shaft	CF8 / CF8M
4	Ball Molding	FEP / PFA
5	Ball Seat	PTFE / GFT / CFT / TFM
6	Shaft Bush	PTFE / GFT / CFT / TFM
7	Packing Washer	Spring Steel
8	Bolt	S. S. 304
9	Nut	S. S. 304
10	Washer	S. S. 304
11	L. N. Bolt	S. S. 304
12	Actuator	STD.

Note : Please refer page no 29-30 for Flange Dimensions

"aira" Offers Pneumatic Actuator Operated standard round port ball valves have been used, and continue to be used, for many control applications such as services involving moderate pressure drops. Now, with the development of aira V balls characterized, a full range of control applications is available with superior flow control. These quarter turn control ball valve are more compact, lighter weight and much less expensive than comparably sized globe valves and segmented control valves offered by other companies. aira control valves offer fast response times to control signals due to advanced digital control of actuation and the in there strenghts of ball valves. These valves exceed class VI offering bubble tight shut off with zero leakage. Other features include superior quality, high flow capacity, the ability to function with fluids containing solids and fibers and ease of maintenance.

Size Range : 1/2" to 8" Flanged Standard

- Design And Manufacturer : BS EN ISO 17292 / ASME B.34
- Valve Face To Face Dimension : ASME B16.10
- Flange Standard Conformity : ASME B 16.5 150#
- Inspection & Testing : BS EN 12266 - 1 & 2 API - 598
- Top Flange Drilling : ASA 150# / DIN 2632 & 2633 / BS EN 10 Table D, E, F (Customer Specified)



Accessories

- On / OFF Indicator
- NAMUR Standard Solenoid Valve in all Standard Coil Voltage (Flame Proof Solenoid Coil - On Request)
- Pneumatic & Electro-Pneumatic valve positioner
- Declutchable Manual Over - Ride
- Limit Switches for On / Off Indication at Panel Board
- Filter + Regulator Combination with Pressure Gauge
- Air Lock Valve



Sr. No.	Description	Material
1	Body	WCB / CF8 / CF8M / CF3M
2	Ball	CF8 / CF8M / CF3M
3	Ball Seat	PTFE / CFT / GFT / TFM
4	Shaft	S. S. 304 / S. S. 316
5	Retainer	S. S. 304 / S. S. 316
6	Packing Set	PTFE / CFT / GFT / TFM
7	Gland Plate	S. S. 304
8	Gland L. N. Bolt	S. S. 304
9	Trunnion Pin	S. S. 304
10	Trunnion Washer	PTFE
11	Bracket	WCB / CF8 / CF8M
12	Bracket Fitting Bolt	S. S. 304
13	Actuator	STD.

Dimensions :

Valve Model	Valve Size		L1	Weight Approx.
	Inch	MM		
VBP - 15	1/2"	15	102	2.400
VBP - 20	3/4"	20	102	2.400
VBP - 25	1"	25	102	7.000
VBP - 32	1.1/4"	32	114	7.000
VBP - 40	1.1/2"	40	114	7.750
VBP - 50	2"	50	124	15.800
VBP - 65	2.1/2"	65	145	16.300
VBP - 80	3"	80	165	20.000
VBP - 100	4"	100	194	27.000
VBP - 125	5"	125	210	42.000
VBP - 150	6"	150	229	58.000
VBP - 200	8"	200	243	85.000
VBP - 250	10"	250	279	160.000
VBP - 300	12"	300	340	220.000

(All Dimensions are in mm)

Note : Please refer page no 29 for Flange Dimensions

Spring Loaded Trunnion Mounted Ball Valve As Per API 6D



"aira" Offers Pneumatic Actuator Operated, The Inconel Spring Trunnion Mounted Ball Valve is a robust API 6D monogrammed 2 piece design with bi-directional sealing. SRE Series trunnion mounted ball valves are designed for general industrial and chemical applications, and include the following features standard. chemical, oil, petrochemical, gas, pulp, paper processing and other industries. Chemical, Pharmaceutical, Food, Pharmaceutical, Petrochemical, Energy, Plastics, Oil & Gas, Cement & lubrication

Size Range : 4" to 24" Flanged

DBB (Single Piston Design)

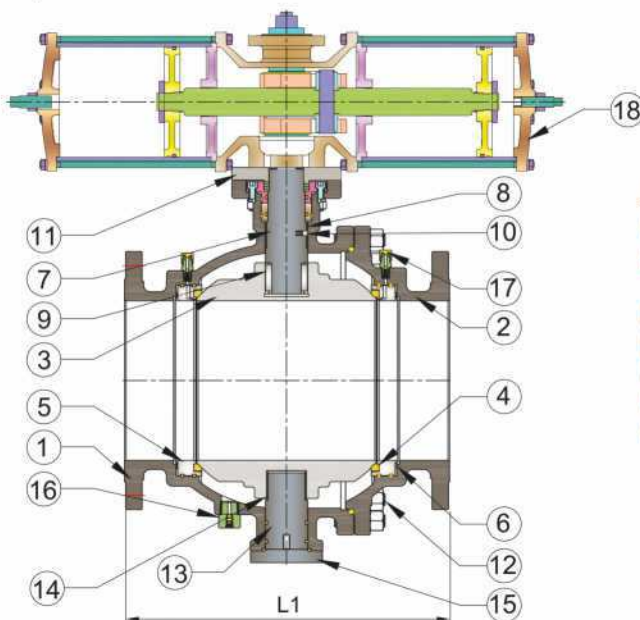
DIB - 1 : Double isolation and bleed valve (Double Piston Design On Request)

DIB - 2 : Double isolation and bleed valve

One side Single piston(uni-directional),one side double piston(bi-directional)



6D - 1590



Standard

- Design And Manufacturer : API 6D
- Valve Face To Face Dimension : API 6D
- Flange Standard Conformity : ASME B 16.5 150# & 300#
- Inspection & Testing : API - 6D

Accessories

- On / OFF Indicator
- NAMUR Standard Solenoid Valve in all Standard Coil Voltage (Flame Proof Solenoid Coil - On Request)
- Pneumatic & Electro-Pneumatic valve positioner
- Declutchable Manual Over - Ride
- Limit Switches for On / Off Indication at Panel Board
- Filter + Regulator Combination with Pressure Gauge
- Air Lock Valve

Dimensions :

Valve Model	Valve Size		150#	300#
	Inch	MM	L1	L1
SRE - 100	4"	100	228	305
SRE - 125	5"	125	394	403
SRE - 150	6"	150	394	403
SRE - 200	8"	200	457	502
SRE - 250	10"	250	533	568
SRE - 300	12"	300	610	648
SRE - 350	14"	350	686	782
SRE - 400	16"	400	762	838
SRE - 450	18"	450	864	914
SRE - 500	20"	500	914	991
SRE - 600	24"	600	1067	1143

(All Dimensions are in mm)

Sr. No.	Description	Material
1	Body	WCB / CF8 / CF8M / CF3M
2	Connector	WCB / CF8 / CF8M / CF3M
3	Ball	CF8 / CF8M / CF3M
4	Ball Seat	PTFE
5	Adapter	CF8 / CF8M
6	Spring	Inconel
7	Stem Pin	S.S.304 \ S.S. 316
8	Distance Bush For Stem	S.S. 304
9	Key For Shaft	S.S. 304
10	Spring & Ball For Anti Static	S.S. 304
11	Actuator Plate	S.S. 304
12	Body Fitting Stud + Hex Nut	M.S \ S.S. 304
13	Trunnion PIN	S.S. 304 \ S.S. 316
14	Distance Bush For Trunnion	S.S. 304
15	Trunnion plate	S.S. 304
16	Drain & Vent	S.S. 304
17	Sealant	S.S. 304
18	Scotch & Yoke Actuator	STD.

Note : Please refer page no 29-30 for Flange Dimensions

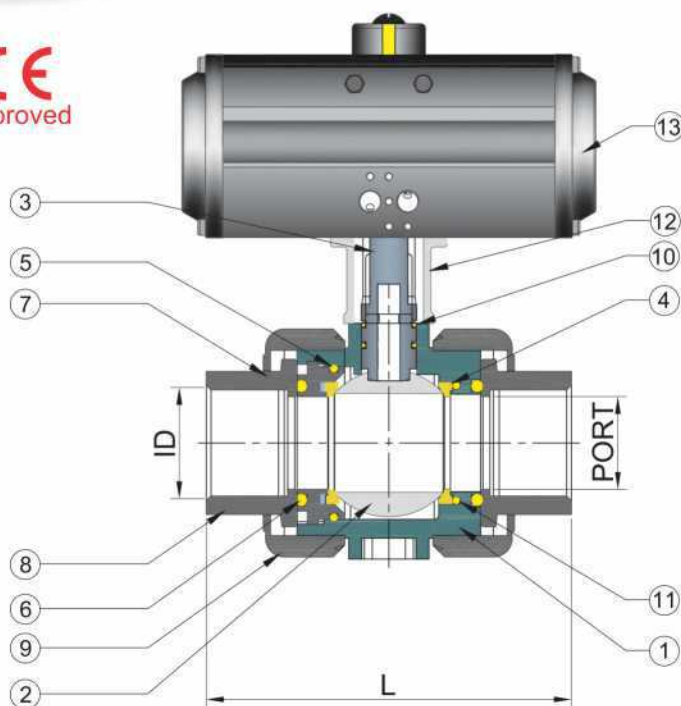
Pub. On : March 2018 (Rev.-01)



"aira" Offers Pneumatic Rotary Actuator Operated UPVC Ball Valve is made with precision turning and grinding to ensure that its true roundness and smoothness is achieved. This provides for lower torque requirement and ease of handling. True union design provides for tight shut - off. These valves are most suited for water treatment and chlorination applications.

Size Range : 1/2" to 3" Screwed / Socket Weld

Ball Valve Specification	
Working Pressure	7 Kg/cm ²
Working Temperature	Upto 80 °C Max.
Ends	Screwed End



Advantage

- NSF listed and material meet drinking water standard.
- Smooth opening and closing thanks a lower torques
- 100% pure virgin material, CaCO₃ free (Chalk)
- UV resistant power added.
- 100% pressure testing before leaving the factory

Accessories

- On / OFF Indicator
- NAMUR Standard Solenoid Valve in all Standard Coil Voltage (Flame Proof Solenoid Coil - On Request)
- Pneumatic & Electro-Pneumatic valve positioner
- Deutchable Manual Over - Ride
- Limit Switches for On / Off Indication at Panel Board
- Filter + Regulator Combination with Pressure Gauge
- Air Lock Valve

Dimensions :

Valve Model	Valve Size		L	ID	Port
	Inch	MM			
U2B - 15	1/2"	15	112	22	14
U2B - 20	3/4"	20	115.5	27	19.2
U2B - 25	1"	25	130	33.8	24
U2B - 32	1.1/4"	32	146	42.4	31
U2B - 40	1.1/2"	40	161.5	48.4	38.3
U2B - 50	2"	50	177.5	60.5	48
U2B - 65	2.1/2"	65	242	73.5	61.6
U2B - 80	3"	80	293	89	74
U2B - 100	4"	100	328	115	89.5

(All Dimensions are in mm)

Sr. No.	Description	Material
1	Body	UPVC
2	Ball	UPVC
3	Stem	UPVC
4	Ball Seat	PTFE / EPDM / VITON
5	Body - 'O' Ring	NBR
6	Body Connector 'O' Ring	NBR
7	Body Connector	UPVC
8	Connector	UPVC
9	Connector Nut	UPVC
10	Stem 'O' Ring	NBR
11	Body 'O' Ring	NBR
12	Bracket	CF8 / CF8M
13	Actuator	STD.

3 Way UPVC Ball Valve

"aira" Offers Pneumatic Rotary Actuator Operated UPVC Ball Valve is made with precision turning and grinding to ensure that it's true roundness and smoothness is achieved. This provides for lower torque requirement and ease of handling. True union design provides for tight shut - off. These valves are most suited for water treatment and chlorination applications.

Size Range : 1/2" to 3" Screwed / Socket Weld

Ball Valve Specification	
Working Pressure	7 Kg/cm ²
Working Temperature	Upto 80 °C Max.
Ends	Screwed End

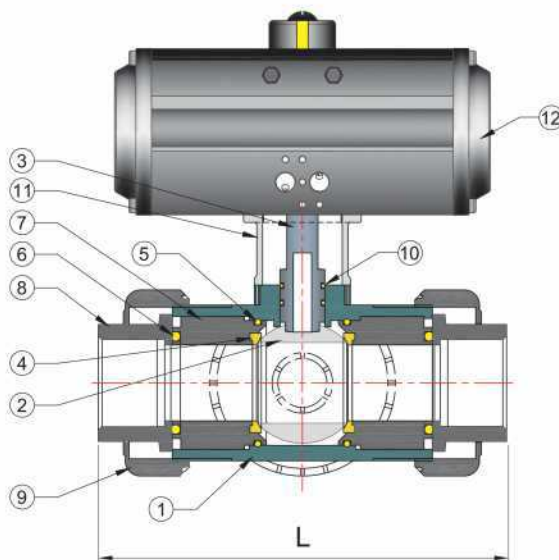
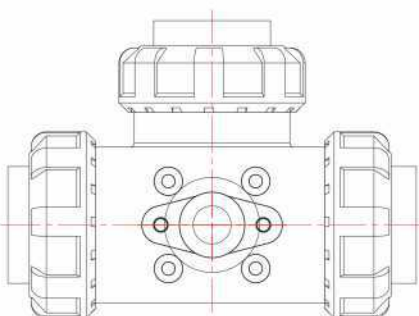
Advantage

- NSF listed and material meet drinking water standard.
- Smooth opening and closing thanks a lower torques
- 100% pure virgin material, CaCO₃ free (Chalk)
- UV resistant power added.
- 100% pressure testing before leaving the factory



Accessories

- On / OFF Indicator
- NAMUR Standard Solenoid Valve in all Standard Coil Voltage (Flame Proof Solenoid Coil - On Request)
- Pneumatic & Electro-Pneumatic valve positioner
- Declutchable Manual Over - Ride
- Limit Switches for On / Off Indication at Panel Board
- Filter + Regulator Combination with Pressure Gauge
- Air Lock Valve



Dimensions :

Valve Model	Valve Size		L
	Inch	MM	
U3B - 15	1/2"	15	163
U3B - 20	3/4"	20	172
U3B - 25	1"	25	200
U3B - 32	1.1/4"	32	208
U3B - 40	1.1/2"	40	240
U3B - 50	2"	50	On Req.
U3B - 65	2.1/2"	65	On Req.
U3B - 80	3"	80	On Req.

(All Dimensions are in mm)

Sr. No.	Description	Material
1	Body	UPVC
2	Ball	UPVC
3	Stem	UPVC
4	Ball Seat	PTFE / EPDM / Viton
5	Body 'O' - Ring	NBR
6	Body Connector 'O' Ring	NBR
7	Body Connector	UPVC
8	Connector	UPVC
9	Connector Nut	UPVC
10	Stem 'O' Ring	NBR
11	Bracket	CF8 / CF8M
12	Actuator	STD.

CW Series "C" Way 3 Way Floating Ball Valve



"aira" Offers ISO 5211 Standard Pneumatic Rotary Actuator Operated 2 Piece design "C" Way Floating Ball Valve engineered multiple On/Off operation in the down stream. Side entry 3 Way ball valve offers diverting and mixing / selection flow patterns and often eliminates the need for two valves. The T - Port / L - Port configuration is available as a 2 Piece design in two in two seat and four seat configuration this is extremely versatile in various configurations and the full port design is easily automated as it comes in and is available with various seat material for various pressure and temperature range. "C Way" ball valve designed for using in the several conditions such as like Chemical, Pharmaceutical, Food, Petrochemical, Energy, Plastic, Oil & Gas, Cement & Lubrication.

Size Range : 1/2" to 8" Screwed / Flanged

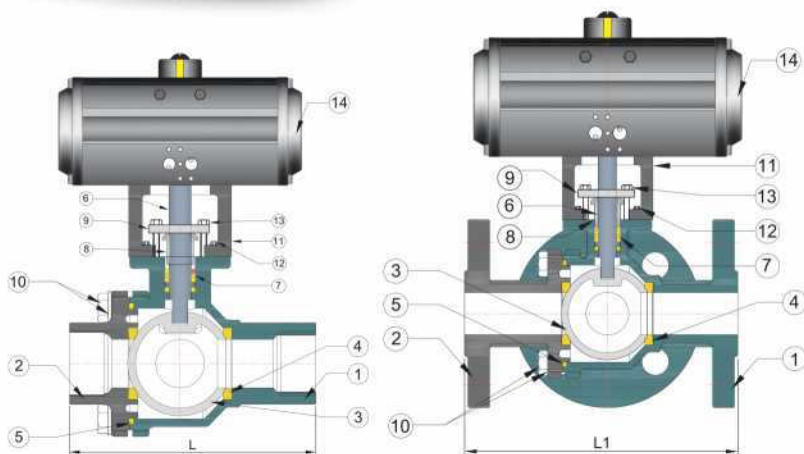
Standards

- Design And Manufacturing : ASME B 16.34 / BS EN ISO 17292
- Valve Face to Face Dimension : ASME B 16.10
- Flange Standard Conformity : ASME B 16.5 Class 150, 300
- Inspection & Testing : API 598 / ISO - 5208 / BS EN 12266 - 1



Accessories

- On / OFF Indicator
- NAMUR Standard Solenoid Valve in all Standard Coil Voltage (Flame Proof Solenoid Coil - On Request)
- Pneumatic & Electro-Pneumatic valve positioner
- Declutchable Manual Over - Ride
- Limit Switches for On / Off Indication at Panel Board
- Filter + Regulator Combination with Pressure Gauge
- Air Lock Valve



Screwed Dimensions :

Valve Model	Valve Size		L	Weight Approx.
	Inch	MM		
CWS - 15	1/2"	15	64	0.785
CWS - 20	3/4"	20	75	1.130
CWS - 25	1"	25	88	1.380
CWS - 32	1.1/4"	32	105	2.000
CWS - 40	1.1/2"	40	114.3	2.700
CWS - 50	2"	50	159.3	5.700
CWS - 65	2.1/2"	65	222	8.570
CWS - 80	3"	80	241	11.200

(All Dimensions are in mm)

Flanged Dimensions :

Valve Model	Valve Size		L	Weight Approx.
	Inch	MM		
CFW-15	1/2"	15	108	2.000
CFW-20	3/4"	20	117	2.685
CFW-25	1"	25	127	3.670
CFW-32	1.1/4"	32	140	4.600
CFW-40	1.1/2"	40	165	6.150
CFW-50	2"	50	178	9.640
CFW-65	2.1/2"	65	190	14.650
CFW-80	3"	80	203	18.680
CFW-100	4"	100	305	34.780
CFW-125	5"	125	356	50.000
CFW-150	6"	150	394	80.000
CFW-200	8"	200	600	167.000

(All Dimensions are in mm)

Sr. No.	Description	Material
1	Body	WCB / CF8 / CF8M / CF3M
2	Connection	WCB / CF8 / CF8M / CF3M
3	Ball	CF8 / CF8M / CF3M
4	Ball Seat	PTFE / GFT / CFT / TFM
5	Body Seat	PTFE / GFT / CFT / TFM
6	Stem pin	S. S. 304 / 316
7	Stem Seat	PTFE / GFT / CFT / TFM
8	Gland Bush	S. S. 304 / 316
9	Gland	WCB / CF8 / CF8M
10	Hex Bolt + Spring Washer	S. S. 304
11	Bracket	WCB / CF8 / CF8M
12	Bracket Fitting Hex Bolt + Spring Washer	S. S. 304
13	Gland Hexbolt	S. S. 304
14	Actuator	STD

Note : Please refer page no 29-30 for Flange Dimensions

3 Way / 4 Way / 5 Way Floating Ball Valve



"aira" Offers Pneumatic Rotary Actuator Operated "3, 4 & 5 Way" Design Investment Casting CF8 / CF8M / WCB Floating Ball Valve, engineered for multiple Diverting / Mixing Operations in the down stream. TYPE : "T" . PORT / "L" . PORT / "X" . PORT In Full Bore / Reduce Bore.

Size Range : 1/2" to 4" Screwed / Flanged / Triclover End

Standards

- Design And Manufacturing : ASME B 16.34 / BS EN ISO 17292
- Valve Face to Face Dimension : ASME B 16.10
- Flange Standard Conformity : ASME B 16.5 Class 150, 300
- Inspection & Testing : API 598 / ISO - 5208 / BS EN 12266 - 1
- Threaded Fitting : ASME B 1.20



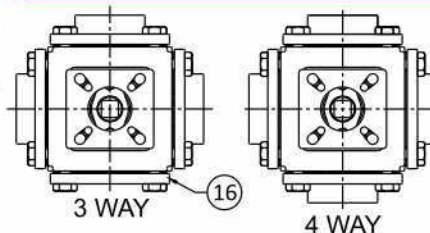
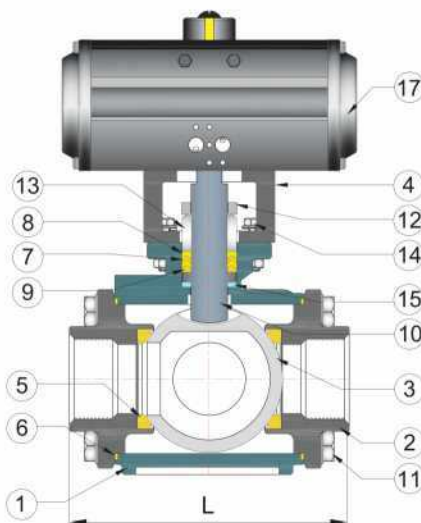
Cavity Filled Ball Valve Details



"aira" Cavity Filled Ball Valves are the perfectly for applications in Pharma, Food or Sanitary Industry. Media Residue in the empty cavity of conventional ball valves can pollute the media after sessions of inactivity. Cavity filled ball valves leave no space for media to remain in the cavity.

Accessories

- On / OFF Indicator
- NAMUR Standard Solenoid Valve in all Standard Coil Voltage (Flame Proof Solenoid Coil - On Request)
- Pneumatic & Electro-Pneumatic valve positioner
- Decutchable Manual Over - Ride
- Limit Switches for On / Off Indication at Panel Board
- Filter + Regulator Combination with Pressure Gauge
- Air Lock Valve



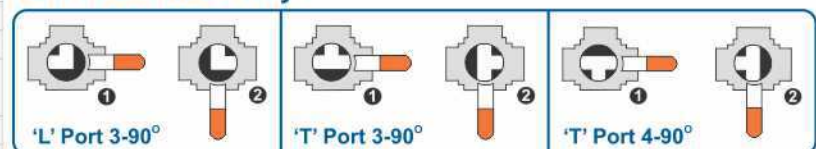
Screwed Dimensions :

Valve Model	Valve Size		L	Weight Approx.	
	Inch	MM		3 Way	4 Way
SUZ - 15	1/2"	15	104	3.560	3.660
SUZ - 20	3/4"	20	112	4.060	4.100
SUZ - 25	1"	25	130	7.040	7.080
SUZ - 32	1.1/4"	32	153	9.520	9.620
SUZ - 40	1.1/2"	40	156	12.200	12.340
SUZ - 50	2"	50	192	20.500	20.740
SUZ - 65	2.1/2"	65	297	20.960	21.800
SUZ - 80	3"	80	315	30.380	31.660
SUZ - 100	4"	100	324	49.110	50.690

(All Dimensions are in mm)

Sr. No.	Description	Material
1	Body	WCB / CF8 / CF8M / CF3M
2	Connector	WCB / CF8 / CF8M / CF3M
3	Ball	CF8 / CF8M / CF3M
4	Bracket	WCB / CF8 / CF8M
5	Ball Seat	PTFE / GFT / CFT / TFM
6	Body Seat	PTFE / GFT / CFT / TFM
7	U - Seat	PTFE / GFT / CFT / TFM
8	V - Seat	PTFE / GFT / CFT / TFM
9	Base Seat	PTFE / GFT / CFT / TFM
10	Stem Pin	S. S. 304 / S. S. 316
11	Body Fitting Hex Bolt + Washer	S. S. 304
12	Gland	WCB / CF8 / CF8M
13	Gland Bush	S. S. 304 / S. S. 316
14	Bracket Fitting Bolt + Nut & Washer	S. S. 304
15	Stem Packing	PTFE / GFT / CFT / TFM
16	Blind End	WCB / CF8 / CF8M / CF3M
17	Actuator	STD.

Flow Patterns 3 - Way

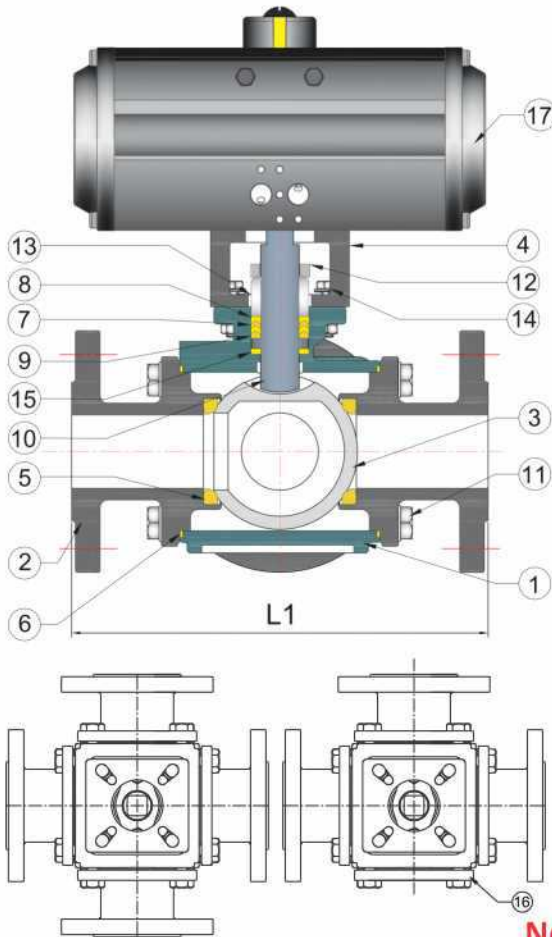


Flow Patterns 4 - Way



Pub. On : March 2018 (Rev.-01)

Flanged 150# / 300#



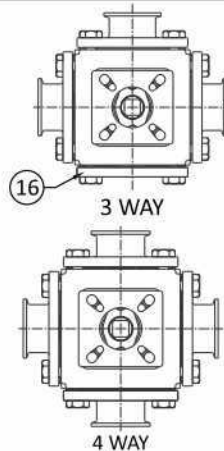
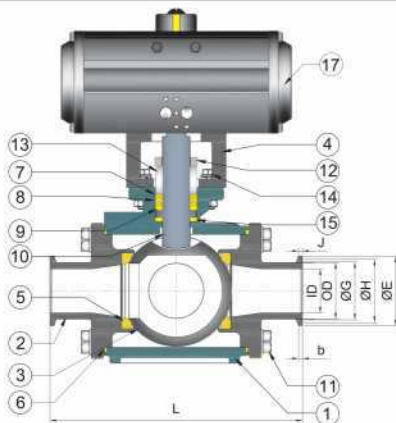
Sr. No.	Description	Material
1	Body	WCB / CF8 / CF8M / CF3M
2	Connector	WCB / CF8 / CF8M / CF3M
3	Ball	CF8 / CF8M / CF3M
4	Bracket	WCB / CF8 / CF8M
5	Ball Seat	PTFE / GFT / CFT / TFM
6	Body Seat	PTFE / GFT / CFT / TFM
7	U - Seat	PTFE / GFT / CFT / TFM
8	V - Seat	PTFE / GFT / CFT / TFM
9	Base Seat	PTFE / GFT / CFT / TFM
10	Stem Pin	S. S. 304 / S. S. 316
11	Body Fitting Hex Bolt + Washer	S. S. 304
12	Gland	WCB / CF8 / CF8M
13	Gland Bush	S. S. 304
14	Bracket Fitting Bolt + Nut & Washer	S. S. 304
15	Stem Packing	PTFE / GFT / CFT / TFM
16	Blind End	CF8 / CF8M
17	Actuator	STD.

Flanged Dimensions :

Valve Model	Valve Size		L1 (F to F)		150# Weight Approx.		300# Weight Approx.	
	Inch	MM	150#	300#	3 Way	4 Way	3 Way	4 Way
SUZ - 15	1/2"	15	151	160	4.620	5.020	7.200	7.980
SUZ - 20	3/4"	20	165	177	5.540	6.120	8.980	10.200
SUZ - 25	1"	25	192	202	9.380	10.220	11.480	13.020
SUZ - 32	1.1/4"	32	223	221	12.480	13.620	15.040	17.020
SUZ - 40	1.1/2"	40	220	234	16.080	17.520	22.240	25.640
SUZ - 50	2"	50	253	274	26.120	28.280	32.240	35.420
SUZ - 65	2.1/2"	65	295	300	27.260	30.280	---	---
SUZ - 80	3"	80	306	327	37.100	40.700	46.540	53.340
SUZ - 100	4"	100	371	393	60.970	66.630	74.710	84.810

(All Dimensions are in mm)

Note : Please refer page no 29-30 for Flange Dimensions



Dimensions :

Valve Model	Valve Size		L	ØE	ØG	ØH	ID	OD	J	B	Weight Approx.	
	Inch	MM									3 Way	4 Way
SUT - 15	1/2"	15	133	34	25.5	29.5	12.5	18.5	2.8	1.5	3.740	3.840
SUT - 20	3/4"	20	140	34	25.5	29.5	17	23	2.8	1.5	4.320	4.420
SUT - 25	1"	25	160	50.5	42	46	24	31	2.8	1.5	7.240	7.380
SUT - 40	1.1/2"	40	184	50.5	42	46	32	41	2.8	1.5	12.500	12.740
SUT - 50	2"	50	217	64	55.5	59.5	42.5	52.5	2.8	1.5	20.960	21.360

(All Dimensions are in mm)

Triclover End

Sr. No.	Description	Material
1	Body	WCB / CF8 / CF8M / CF3M
2	Connector	WCB / CF8 / CF8M / CF3M
3	Ball	CF8 / CF8M / CF3M
4	Bracket	WCB / CF8 / CF8M
5	Ball Seat	PTFE / GFT / CFT / TFM
6	Body Seat	PTFE / GFT / CFT / TFM
7	U - Seat	PTFE / GFT / CFT / TFM
8	V - Seat	PTFE / GFT / CFT / TFM
9	Base Seat	PTFE / GFT / CFT / TFM
10	Stem Pin	S. S. 304 / S. S. 316
11	Body Fitting Hex Bolt + Washer	S. S. 304
12	Gland	WCB / CF8 / CF8M
13	Gland Bush	S. S. 304
14	Bracket Fitting Bolt + Nut & Washer	S. S. 304
15	Stem Packing	PTFE / GFT / CFT / TFM
16	Blind End	WCB / CF8 / CF8M / CF3M
17	Actuator	STD.

3 Way / 4 Way / 5 Way Trunnion Ball Valve



"aira" Offers Pneumatic Rotary Actuator Operated "3, 4 & 5 Way" Design Investment Casting CF8 / CF8M / WCB Trunnion Ball Valve, engineered for multiple Diverting / Mixing Operations in the down stream. TYPE : "T" . PORT / "L" . PORT / "X" . PORT In Full Bore / Reduce Bore.

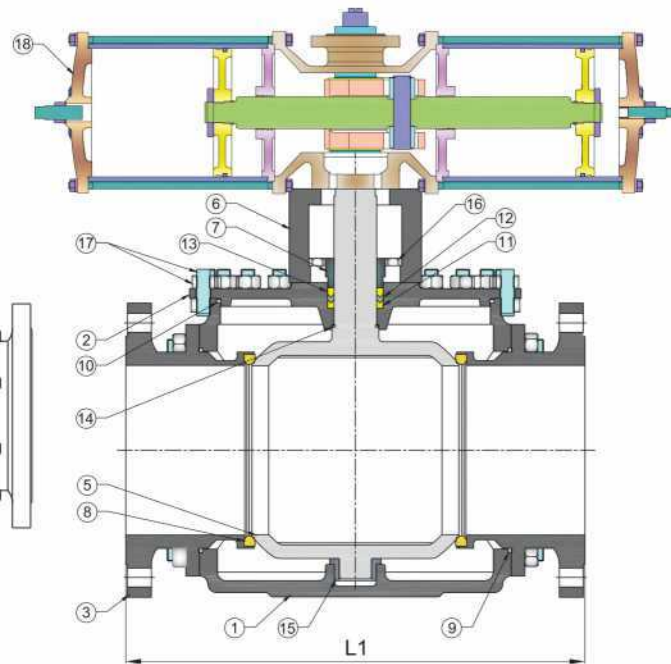
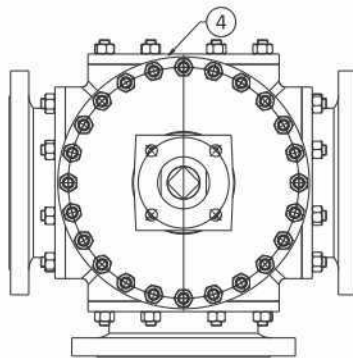
Size Range : 5" to 12" Flanged 150# / 300#

Standard

- Design And Manufacturing : ASME B 16.34
- Valve Face To Face Dimension : As Per Manufacturer Std.
- Flange Standard Conformity : ASME B 16.5 Class 150 & 300
- Inspection & Testing : API 598 / ISO - 5208 / BS EN 12266 - ISO 5208

Accessories

- On / OFF Indicator
- NAMUR Standard Solenoid Valve in all Standard Coil Voltage (Flame Proof Solenoid Coil - On Request)
- Pneumatic & Electro-Pneumatic valve positioner
- Decutchable Manual Over - Ride
- Limit Switches for On / Off Indication at Panel Board
- Filter + Regulator Combination with Pressure Gauge
- Air Lock Valve



Sr. No.	Description	Material
1	Body	WCB / CF8 / CF8M / CF3M
2	Top Cover	WCB / CF8 / CF8M / CF3M
3	Flange End	WCB / CF8 / CF8M / CF3M
4	Blind End	WCB / CF8 / CF8M / CF3M
5	Ball	CF8 / CF8M / CF3M
6	Bracket	WCB / CF8 / CF8M
7	Gland	WCB / CF8 / CF8M
8	Ball Seat	PTFE / CFT / GFT / TFM
9	Body Gasket	PTFE / CFT / GFT / TFM
10	Top Cover Gasket	PTFE / CFT / GFT / TFM
11	Base Seat	PTFE / CFT / GFT / TFM
12	U - Seat	PTFE / CFT / GFT / TFM
13	V - Seat	PTFE / CFT / GFT / TFM
14	'O' - Ring	Viton
15	Bush	CFT / PTFE
16	Bracket & Gland Fitting Bolt	M. S. / S.S.
17	Fitting Stud + Nut	M. S. / S. S.
18	Actuator	STD.

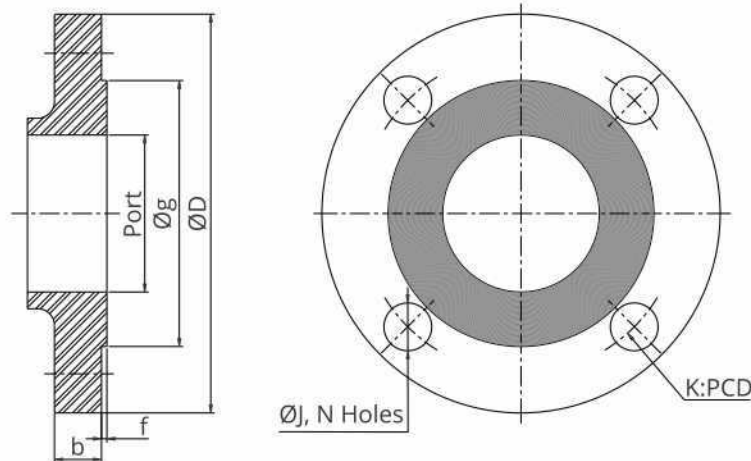
Flanged Dimensions :

Model		Valve Size		L1 (F to F)		150# Weight Approx.		300# Weight Approx.	
3 Way	4 Way	Inch	MM	150#	300#	3 Way	4 Way	3 Way	4 Way
SYZ - 125	SXZ - 125	5"	125	418	450	101.9	108.2	143.4	155.8
SYZ - 150	SXZ - 125	6"	150	437	477	129.3	136.25	172.38	189.2
SYZ - 200	SXZ - 125	8"	200	538	561	210.8	231.5	248.8	282.1
SYZ - 250	SXZ - 125	10"	250	662	760	319.1	348.9	394.8	449.88
SYZ - 300	SXZ - 125	12"	300	662		503.2	564.214		

(All Dimensions are in mm)

Note : Reduce Bore Available.

Note : Please refer page no 29-30 for Flange Dimensions



As Per ASME B16.5 150# Dimensions Table

Valve Size		Port	L1	ØD	Øg	b	f	ØJ	N	PCD
Inch	MM									
1/2"	15	13	108	90	34.9	9.6	2	15.9	4	60.3
3/4"	20	19	117	100	42.9	11.2	2	15.9	4	69.9
1"	25	25	127	110	50.8	12.7	2	15.9	4	79.4
1.1/4"	32	32	140	115	63.5	14.3	2	15.9	4	88.9
1.1/2"	40	38	165	125	73	15.9	2	15.9	4	98.4
2"	50	49	178	150	92.1	17.5	2	19.05	4	120.7
2.1/2"	65	62	190	180	104.8	20.7	2	19.05	4	139.7
3"	80	74	203	190	127	22.3	2	19.05	4	152.4
4"	100	100	229	230	157.2	22.3	2	19.05	8	190.5
5"	125	125	254	255	185.7	22.3	2	22.2	8	215.9
6"	150	150	267	280	215.9	23.9	2	22.2	8	241.3
8"	200	201	292	345	269.9	27	2	22.2	8	298.5
10"	250	252	330	405	323.8	28.6	2	25.4	12	362
12"	300	303	610	485	381	30.2	2	25.4	12	431.8

(All Dimensions are in mm)

As Per ASME B16.5 300# Dimensions Table

Valve Size		Port	L1	ØD	Øg	b	f	ØJ	N	PCD
Inch	MM									
1/2"	15	13	140	95	34.9	12.7	2	15.9	4	66.7
3/4"	20	19	152	115	42.9	14.3	2	19.05	4	82.6
1"	25	25	165	125	50.8	15.9	2	19.05	4	88.9
1.1/4"	32	32	178	135	63.5	17.5	2	19.05	4	98.4
1.1/2"	40	38	190	155	73	19.1	2	22.2	4	114.3
2"	50	49	216	165	92.1	20.7	2	19.05	8	127
2.1/2"	65	62	241	190	104.8	23.9	2	22.2	8	149.2
3"	80	74	282	210	127	27	2	22.2	8	168.3
4"	100	100	305	255	157.2	30.2	2	22.2	8	200
5"	125	125	381	280	185.7	33.4	2	22.2	8	235
6"	150	150	403	320	215.9	35	2	22.2	12	269.9
8"	200	201	419	380	269.9	39.7	2	25.4	12	330.2
10"	250	252	457	445	323.8	46.1	2	28.6	16	387.4
12"	300	303	648	520	381	49.3	2	31.75	16	450.8

(All Dimensions are in mm)

As Per ASME B16.5 600# Dimensions Table

Valve Size		Port	L1	ØD	Øg	b	f	ØJ	N	PCD
Inch	MM									
1/2"	15	13	165	95	34.9	14.3	7	15.9	4	66.7
3/4"	20	19	190	115	42.9	15.9	7	19.05	4	82.6
1"	25	25	216	125	50.8	17.5	7	19.05	4	88.9
1.1/4"	32	32	229	135	63.5	20.7	7	19.05	4	98.4
1.1/2"	40	38	241	155	73	22.3	7	22.2	4	114.3
2"	50	49	292	165	92.1	25.4	7	19.05	8	127
2.1/2"	65	62	330	190	104.8	28.6	7	22.2	8	149.2
3"	80	74	356	210	127	31.8	7	22.2	8	168.3
4"	100	100	432	275	157.2	38.1	7	25.4	8	215.9
5"	125	125	508	330	185.7	44.5	7	28.6	8	266.7
6"	150	150	559	355	215.9	47.7	7	28.6	12	292.1
8"	200	201	660	420	269.9	55.6	7	31.75	12	349.2
10"	250	252	787	510	323.8	63.5	7	34.9	16	431.8
12"	300	303	838	560	381	66.7	7	34.9	20	489

(All Dimensions are in mm)

Note : 900# / 1500# 2500# Available On Request.



Model : APP-1200-L
APP-1200-R

Rotary / Liner Type Pneumatic - Pneumatic Valve Positioner



Input Signal	: 3~15psi (0.2-1.0 kgf/cm ²) (NOTE 1)
Supply Air Pressure	: 100 psi Max. (7.0 kgf/cm ²)
Standard Stroke	: 10~80mm (NOTE 2)
Air Piping Connection	: 1/4" NPT (F)
Ambient Temperature	: -20 °C to 70 °C
Pressure Gauge	: Stainless Steel
Explosion-proof	: Exia II BT6, Exdm II BT6,
Classification	: Exdm II CT6
Degree of Protection	: IP66
Pressure Gauge	: Stainless Steel 0-2 kg/cm ² 0-4 kg/cm ² / 0-10 kg/cm ²
Output Characteristics	: Linear
Linearity	: Within ± 1.0% F.S.
Sensitivity	: Within 0.2% F.S.
Hysteresis	: Within 0.2% F.S.
Repeatability	: Within ± 0.75% F.S.
Air Consumption	: 5.0 LPM (1.4 kg/cm ²) Supply
Flow Capacity	: 80 LPM (1.4 kg/cm ²) Supply
Material	: Alluminium Diecast Body
Weight	: 1.8 Kg. (Approx)

Model : AEP-1000-L
AEP-1000-R

Rotary / Liner Type Flameproof Cum Weatherproof Electro Pneumatic Positioner



Input Signal	: 4~20 mA DC (NOTE 1)
Input Resistance	: 235 ±15
Supply Air Pressure	: 20 ~ 100psi (7.0 kg/cm ²)
Standard Stroke	: 10 ~ 80mm (NOTE 2)
Air Piping Connection	: 1/4" NPT (F)
Conduit Connection	: 1/2" NPT (F)
Explosion-proof	: Exia II BT6, Exdm II BT6,
Classification	: Exdm II CT6
Degree of Protection	: IP66
Ambient Temperature	: -20 °C to 70 °C
Pressure Gauge	: Stainless Steel 0-2 kg/cm ² 0-4 kg/cm ² / 0-10 kg/cm ²
Output Characteristics	: Linear / Rotary
Linearity	: Within ± 1.0% F.S.
Sensitivity	: Within 0.2% F.S.
Hysteresis	: Within 0.75% F.S.
Repeatability	: Within ± 0.5% F.S.
Air Consumption	: 5.0 LPM (1.4 kg/cm ²) Supply
Flow Capacity	: 80 LPM (1.4 kg/cm ²) Supply
Material	: Alluminium Die Cast Body
Weight	: 2.8 Kg. With a terminal box

Weatherproof Micro Limit Switch Box Dom Indicator Type On/Off Indicator



Type	: Mechanical Switch X 2 / Proximity Sensors P&F Make
Model	: MLS - BX
Switch	: Honeywell V15 / Honeywell V15 / NJ2-V3-N (Upto 8V) / NBB3-V3-Z4 (Upto 10 to 60 VDC)
Type	: 1 NO + N NC / 2 NO + 2 NC
Switch Rating	: AC 250V 3A, 125V 5A & DC 250V 0.2A, 125V 0.4A, 30V 4A
Enclosure	: IP 67
Protection	
Ambient Temp.	: -20 °C ~ 80 °C
Conduit Entry	: NPT 1/2" (PT 1/2", PF 1/2, M20, PG 13.5)
Terminal	: 8 Points
Mounting	: Namur VDI / VDE 3845,
Bracket	: ISO 5211
Material	: Aluminum Pressure Die Cast

Flameproof Limit Switch Box



Type	: Mechanical Switch X 2 / Proximity Sensors P&F Make
Model	: MLS - BX - FLP
Switch	: Honeywell V15 / Honeywell V15 PCB Type / NJ2-V3-N (Upto 8V) / NBB3-V3-Z4 (Upto 10 to 60 VDC)
Type	: 1 NO + N NC / 2 NO + 2 NC
Switch Rating	: AC 250V 3A, 125V 5A & DC 250V 0.2A, 125V 0.4A, 30V 4A
Enclosure	: IP 67
Protection	
Ambient Temp.	: -20 °C ~ 80 °C
Conduit Entry	: NPT 1/2" (PT 1/2", PF 1/2, M20, PG 13.5)
Terminal	: 8 Points
Mounting	: Namur VDI / VDE 3845,
Bracket	: ISO 5211
Material	: Aluminum Pressure Die Cast

Flameproof Micro Limit Switch Box with Stainless Steel 304 / 316



Type	: Mechanical Switch X 2 / Proximity Sensors P&F Make
Model	: LS4 - FLP
Switch	: Honeywell V15 / Honeywell V15 PCB Type / NJ2-V3-N (Upto 8V) / NBB3-V3-Z4 (Upto 10 to 60 VDC)
Type	: 1 NO + N NC / 2 NO + 2 NC
Switch Rating	: AC 250V 3A, 125V 5A & DC 250V 0.2A, 125V 0.4A, 30V 4A
Enclosure	: IP 67
Protection	
Ambient Temp.	: -20 °C ~ 80 °C
Conduit Entry	: NPT 1/2" (PT 1/2", PF 1/2, M20, PG 13.5)
Terminal	: 8 Points
Mounting	: Namur VDI / VDE 3845,
Bracket	: ISO 5211
Material	: Stainless Steel 304 / 316

Weatherproof Limit Switch Box



Type	: Mechanical Switch X 2 / Proximity Sensors P&F Make
Model	: MMLS - BX - WP
Switch	: Honeywell ZM / NJ2 - V3 - N (Upto 8 Voltage) / NBB - V3 - Z4 (Upto 10 to 60 VDC)
Type	: 1 NO + 1 NC
Switch Rating	: AC 250V 3A, 125V 5A & DC 250V 0.2A, 125V 0.4A, 30V 4A
Enclosure	: IP 67
Protection	
Ambient Temp.	: -20 °C ~ 80 °C
Conduit Entry	: NPT 1/2" (PT 1/2", PF 1/2, M20, PG 13.5)
Terminal	: 8 Points
Mounting	: Namur VDI / VDE 3845,
Bracket	: ISO 5211
Material	: Aluminum Pressure Die Cast



**3/2 Way Namur
Direct Acting Solenoid Valve**

Model : NAM-SA-32
Coil Voltage : All Std. Voltage Available
Frequency : 50 - 60 Hz
Connection Type : 1/4" (NPT)
Conduit : PF 1/2"
Coil Insulation Grade : Class "F"
Ambient : -20 °C ~ 70 °C (-4 ~ 158 °F)
Temp. : -20 °C ~ 50 °C (-4 ~ 122 °F)
MOC : Aluminium
Seals : NBR (Viton On Request)
Working Pressure : Upto 8 BAR



**3/2 & 5/2 Way Convertible Poppet Type
Single Namur Solenoid Valve**

Model : OTX - PPT - 32 / OTX - PPT - 52
Coil Voltage : All Std. Voltage Available
Frequency : 50 - 60 Hz
Connection Type : 1/4" (NPT)
Conduit : PF 1/2"
Coil Insulation Grade : Class "F"
Ambient : -20 °C ~ 70 °C (-4 ~ 158 °F)
Temp. : -20 °C ~ 50 °C (-4 ~ 122 °F)
MOC : Aluminium
Seals : NBR (Viton On Request)
Working Pressure : Upto 8 BAR



**3/2 & 5/2 Way Convertible Poppet Type
Double Namur Solenoid Valve**

Model : 2OTX - PPT - 52
Coil Voltage : All Std. Voltage Available
Frequency : 50 - 60 Hz
Connection Type : 1/4" (NPT)
Conduit : PF 1/2"
Coil Insulation Grade : Class "F"
Ambient : -20 °C ~ 70 °C (-4 ~ 158 °F)
Temp. : -20 °C ~ 50 °C (-4 ~ 122 °F)
MOC : Aluminium
Seals : NBR (Viton On Request)
Working Pressure : Upto 8 BAR



**3/2 & 5/2 Way Convertible Spool Type
Single Namur Solenoid Valve**

Model : AMV-NAM-220
Coil Voltage : All Std. Voltage Available
Frequency : 50 - 60 Hz
Connection Type : 1/4" (NPT)
Conduit : PF 1/2"
Coil Insulation Grade : Class "F"
Ambient : -20 °C ~ 70 °C (-4 ~ 158 °F)
Temp. : -20 °C ~ 50 °C (-4 ~ 122 °F)
Body Material : Aluminium
Seals : NBR (Viton On Request)
Working Pressure : Upto 8 BAR



**3/2 & 5/2 Way Convertible Spool Type
Double Namur Solenoid Valve**

Model : 2AMV-NAM-220
Coil Voltage : All Std. Voltage Available
Frequency : 50 - 60 Hz
Connection Type : 1/4" (NPT)
Conduit : PF 1/2"
Coil Insulation Grade : Class "F"
Ambient : -20 °C ~ 70 °C (-4 ~ 158 °F)
Temp. : -20 °C ~ 50 °C (-4 ~ 122 °F)
Body Material : Aluminium
Seals : NBR (Viton On Request)
Working Pressure : Upto 8 BAR



**AJ Series 3/2 Way Direct Acting Solenoid
Valve (Normally Open & Closed)**

Model : AJDS-09-202
Size : 1/4"
Body : Aluminium Pressure Die Cast
Orifice : 2
Pressure : 7 Kg/cm² / 10 Kg/cm²
Temp. : Upto 50 °C
Leakage : Bubble Tight
Frequency : 50 ~ 60 Hz
Coil Insulation Grade : Class "F"
Media : Air (Filtered & Lubricated)
Voltage : All Std. Voltage Available



**Filter + Regulator
Air Combination**

Model : 4FQ / 8 FQ / FRJ
Air Connection : 1/4"
Max. Supply Pressure : 4FQ: 0.5 to 4 Kg/cm²
 8FQ: 0.5 to 8 Kg/cm²
 1 to 9 Kg/cm²
Gauge Connection : 1/8"
Ambient Temperature : -20 °C ~ 120 °C (High Temp.)
 -40 °C ~ 120 °C (low Temp.)
Mini Filtering Size : 5 Micron
Material : Aluminium Pressure Die Cast

(4FQ / 8FQ) (FRJ)



Air Volume Booster

Model : VLB
Size : 1/4" to 1"
MOC : Aluminium / S. S. 304 / 316
Seals : NBR
Max. Supply Pressure : Max. 1Mpa (10 Bar)
Max. Output Pressure : Max. 0.7 Mpa (7 Bar)
Temperature : -20 °C ~ 70 °C (Standard)
 -20 °C ~ 120 °C (High)
 -40 °C ~ 70 °C (Low)
Linearity : 1 : 1
Hysteresis : 1%



**Single & Double
Air Lock Valve**

Model : SALV / DALV
Material : Aluminum / Stainless Steel 304
Max. Supply Pressure : Max. 10.2 Kg/cm² (142 PSI)
Max. Single Pressure : Max. 7.1 Kg/cm² (1000 PSI)
Setting Pressure Range : 1.4-7.1 Kg/cm² (20 ~ 100 PSI)
Flow Capacity (Cv) : 0.9
In/Output Port Connection : 1/4" NPT
Signal Port Connection : 1/4" NPT
Differential Pressure : Below 0.1 Kg/cm² (1.4 PSI)
Hysteresis : 1%
ambient Temp. : -20 °C ~ 70 °C

DALV SALV



Manual Override Clutch Type (MO)

Model : AMO
Torque : 200 Nm to 10000 Nm
Body : Aluminium Pressure Die Cast /
 S. G. Iron
Lever Wheel : Stainless Steel
Hand Wheel : S. S. / M. S. (Fabricated)

Application

- Process & Chemical
- Refineries & Petrochemicals
- Drugs & Pharmaceuticals
- Thermal Power Stations
- Dyes & Intermediates
- Breweries & Distilleries
- Steel Plants
- Onshore & Offshore Platforms
- Steel Plants
- Solvent Extraction Plants
- Sewage
- Cooling Water
- Ship Yards & Marine Management
- LPG Bottling Plants
- Water Works
- Pulp & Paper
- Fertilizers
- Textiles
- Sugar
- Nuclear & Atomic Power Stations
- Paints & Varnishes
- Soaps & Detergents
- Slurry & Ash handling
- Food & Oil Industry
- Effluent & Water Treatment



Ship Yards & Marine Management
Thermal Power Station
Dyes & Intermediates

Marine Tankers- Ship Building
Off Shore Plants

Military Application
Foundary
Pulp & Paper Plants
Process & Chemical

This Product is Generally made to use on the High Pressure Piping system, It is Widely Applied for Major Industrial Sectors



Chemical and Dyeing Fluids in Textile Processing

Solvent Extraction Plants

Nuclear & Atomic Power Stations

Water Treatment – Purification

Food Plants

Steel & metal Plants

Tobacco Industries

Steel & metal Plants



GLOBAL NETWORK

■ **Head Office & Works**

Ahmedabad

● **Branch Offices**

Ahmedabad
 Andheri
 Ankleshwar
 Aurangabad
 Bangalore
 Baroda
 Bhopal
 Chakan
 Changodar
 Chattral
 Chennai
 Dahej
 Gandhidham
 Indore
 Kolkata
 Lucknow
 Morbi
 Mumbai
 Pimpri
 Pune
 Rajkot
 Secunderabad
 Surat
 Tarapur
 Thane
 Vasai
 Vapi
 Vijayawada

▲ **Dealers & Distributors**

Balotra
 Bangalore
 Belgaum
 Bhilai
 Bhilwara
 Chandigarh
 Chennai
 Chhattisgarh
 Cochin
 Coimbatore
 Delhi
 Erode
 Faridabad
 Gaziabad
 Haryana
 Hyderabad
 Indore
 Jaipur
 Jalandher
 Jamshedpur
 Jodhpur
 Kanpur
 Kolkata
 Karnal
 Kolhapur
 Lubhiana
 Mangalore
 Meerut

Meerut
 Muzaffarnagar
 Nagpur
 Noida
 Pali
 Panipat
 Rajamundry
 Raipur
 Ranchi
 Panipet
 Pune
 Ranipath
 Rudrapur
 Saharanpur
 Secunderabad
 Tripur
 Vishakhapatnam

✕ **International Office**

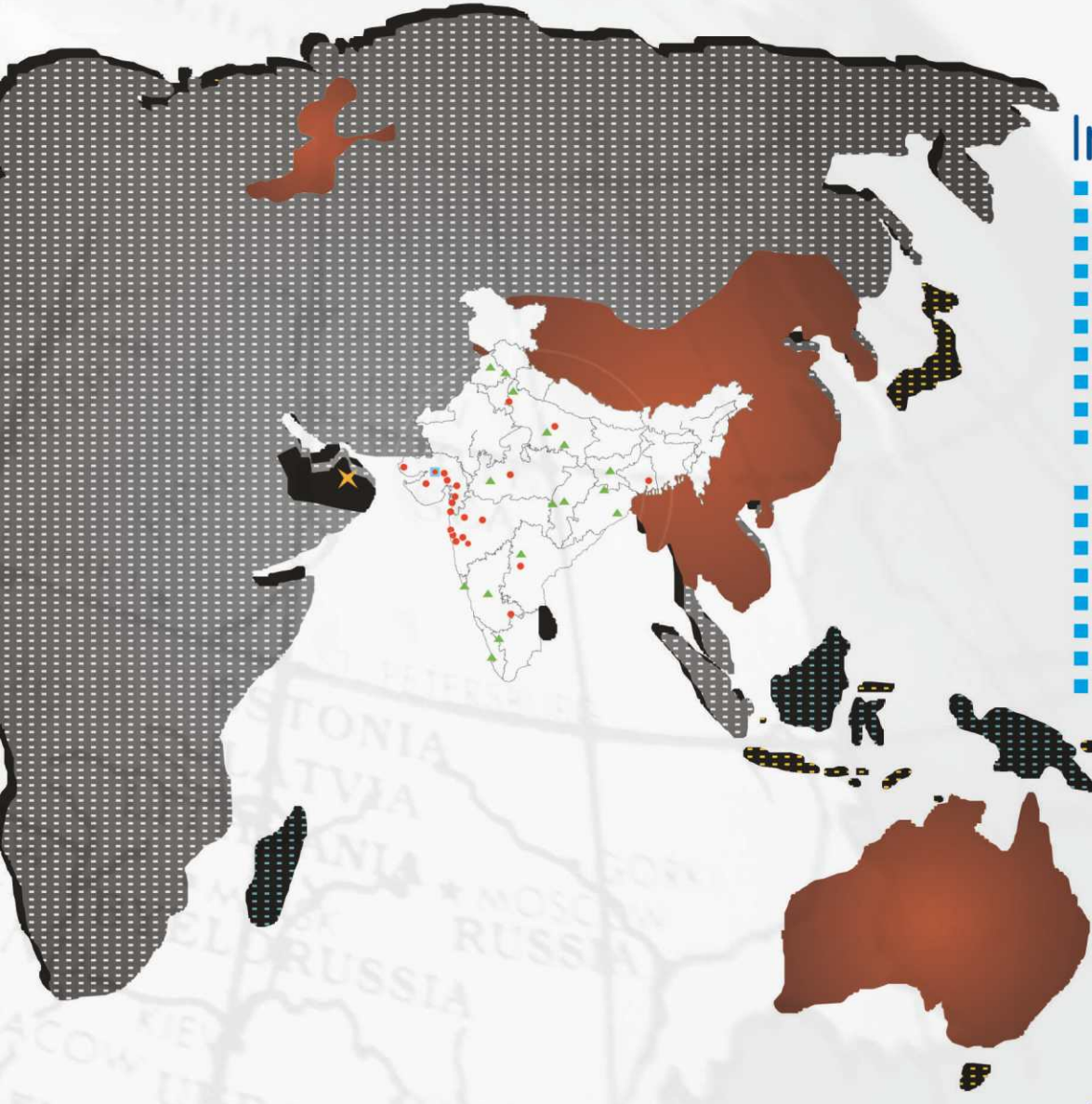
Dubai (UAE)





TIME TESTED DESIGNS WITH
SUPERIOR PERFORMANCE

www.airaindia.com / www.airaeuro.com



Installations

- Indian Oil
- Reliance Industries Limited
- ONGC
- Hindalco
- Godrej
- Indian Railway
- Vedanta
- Voltas
- NTPC
- Gujarat State Fertilizers & Chemical Ltd.
- L & T
- Gail
- Hindustan Petroleum
- BHEL
- IFFCO
- BARC
- Thermax
- Essar

International Dealers

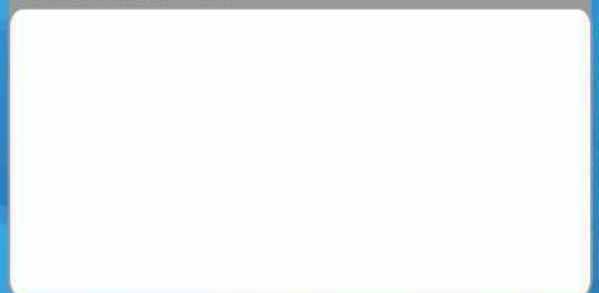
Abu Dhabi • Australia • Bahrain • Bangkok • Bangladesh • Belgium • Bhutan • Cameroon • Canada • Colombia • Damam • Dubai • Egypt • Finland • France • Indonesia • Iran • Iraq • Jeddah • Jordan • Kazakhstan • Kenya • Kuwait • Libya • Malaysia • Maldives • Muscat • Nepal • Nigeria • Norway • Oman • Pakistan • Peru • Qatar • Russia • Saudi Arabia • Sharjah • Singapore • South Africa • Spain • Sri Lanka • Sudan • Taiwan • Tanzania • Thailand • Turkey • U. K. • Uganda • Ukraine • USA • Vietnam • Yemen • Zambi



Mfg. & Mkt by :
aira Euro automation pvt. ltd.
INDIA

www.airaindia.com / www.airaeuro.com

Available At :



Pub. On ABV_March_2018_5K